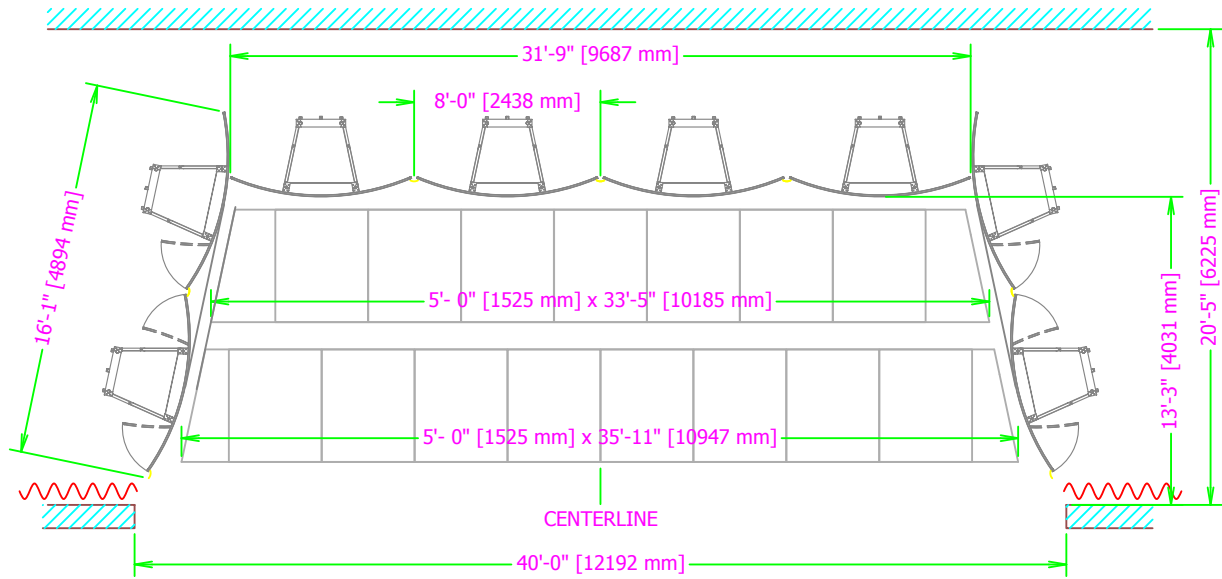
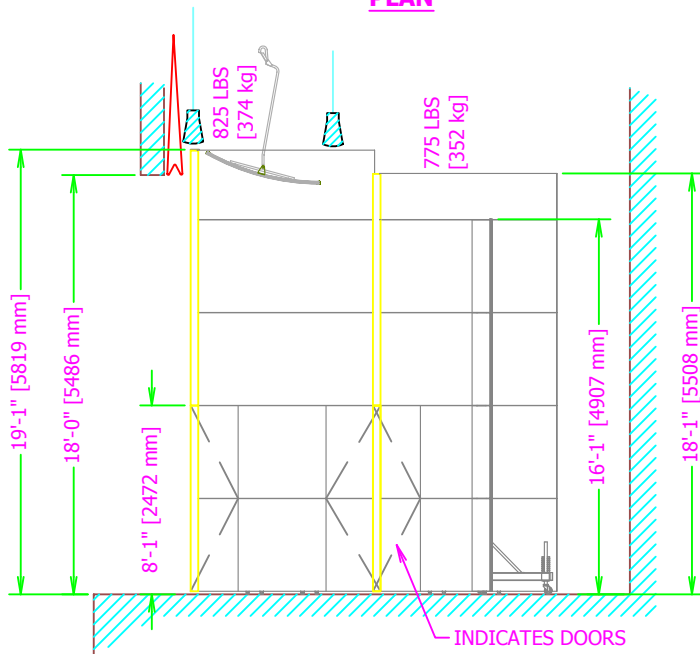


WENGER FORTE SHELL - PLAN I



PLAN



SECTION THRU CENTERLINE

NOTE: RIGGING OR ELECTRICAL MODIFICATIONS ARE NOT INCLUDED. PANEL AND TRIM ARE PAINTED. PLASTIC LAMINATE IS AVAILABLE AT AN ADDITIONAL COST. PLEASE CALL YOUR WENGER REPRESENTATIVE FOR ASSISTANCE.

Wenger[®]

WENGER CORPORATION, OWATONNA, MN 55060

