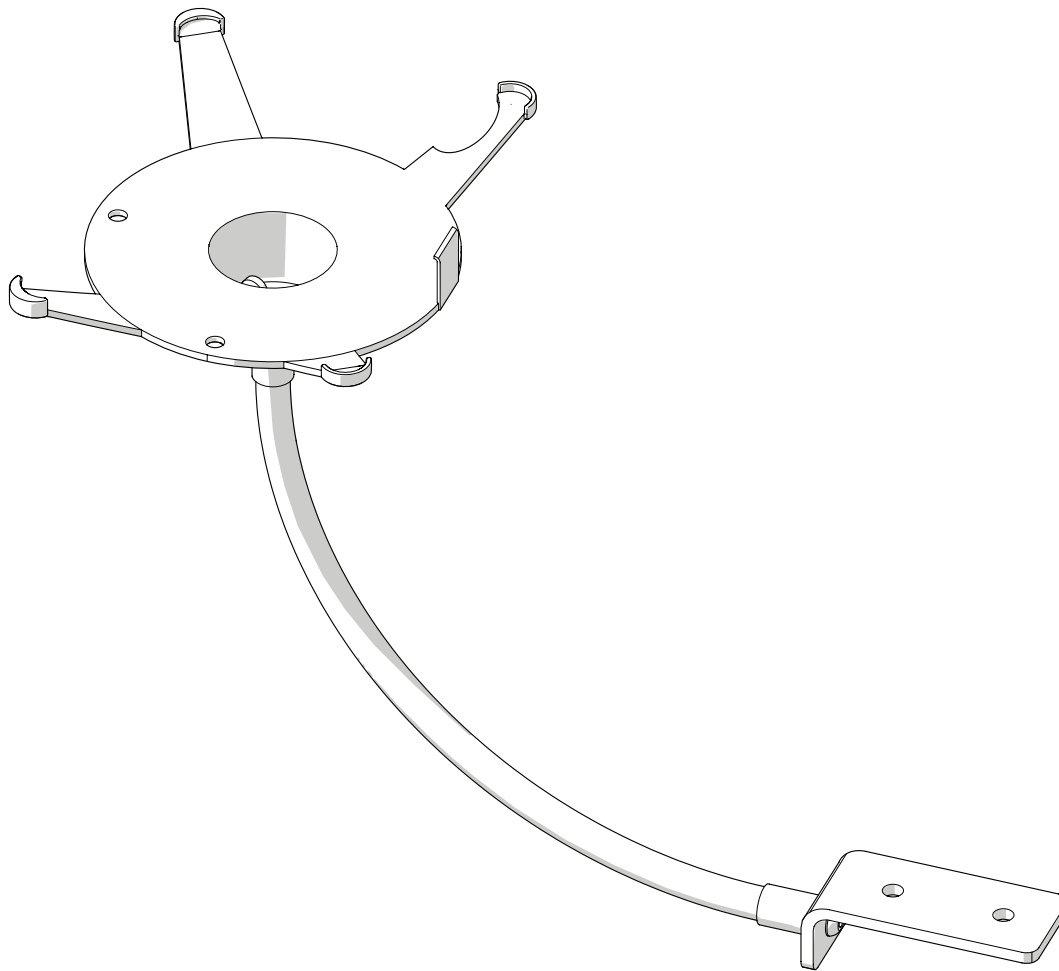


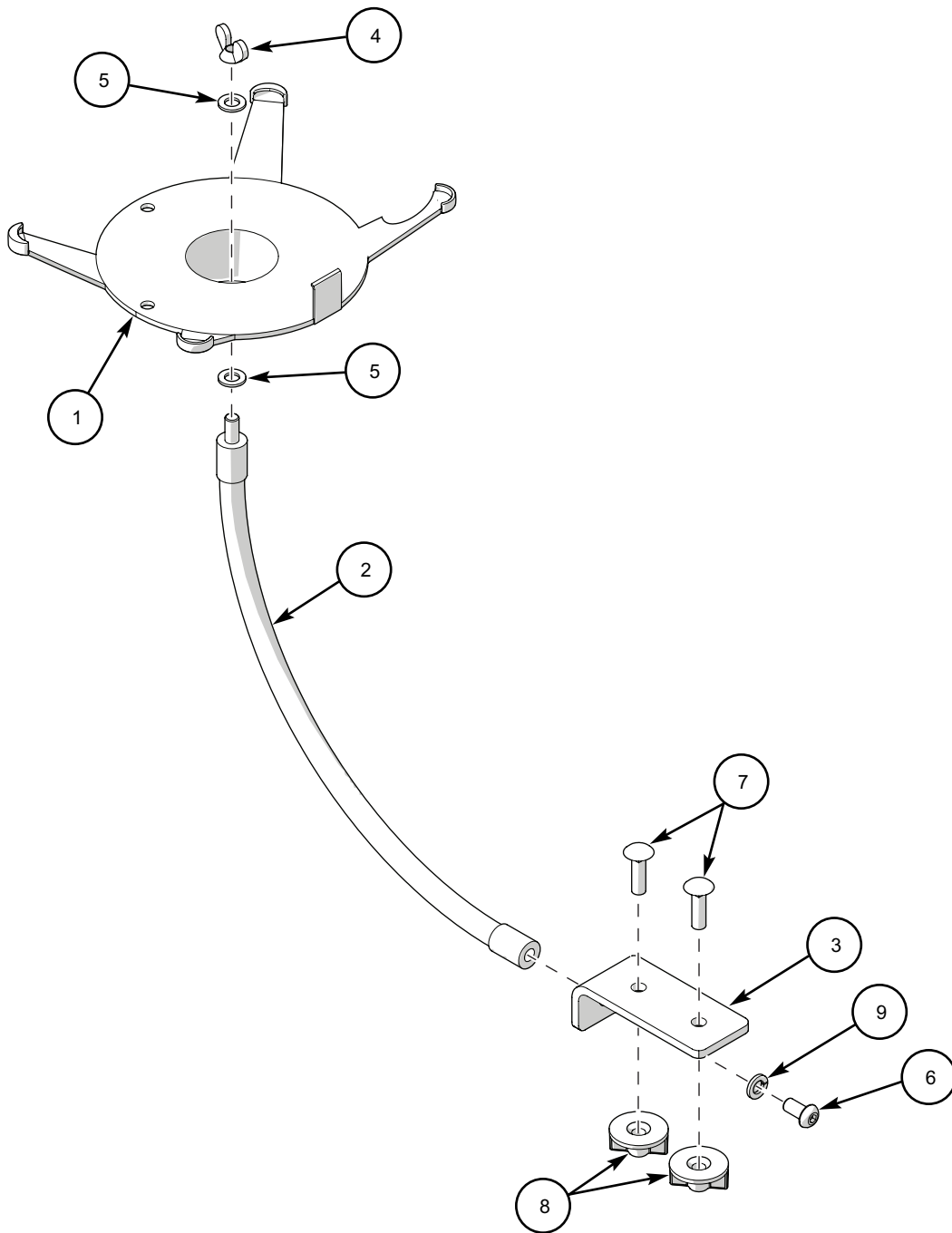


Your Performance Partner

Assembly Instructions Tablet Mount for iPad® Accessory for Flex® TechBridge



PARTS LIST

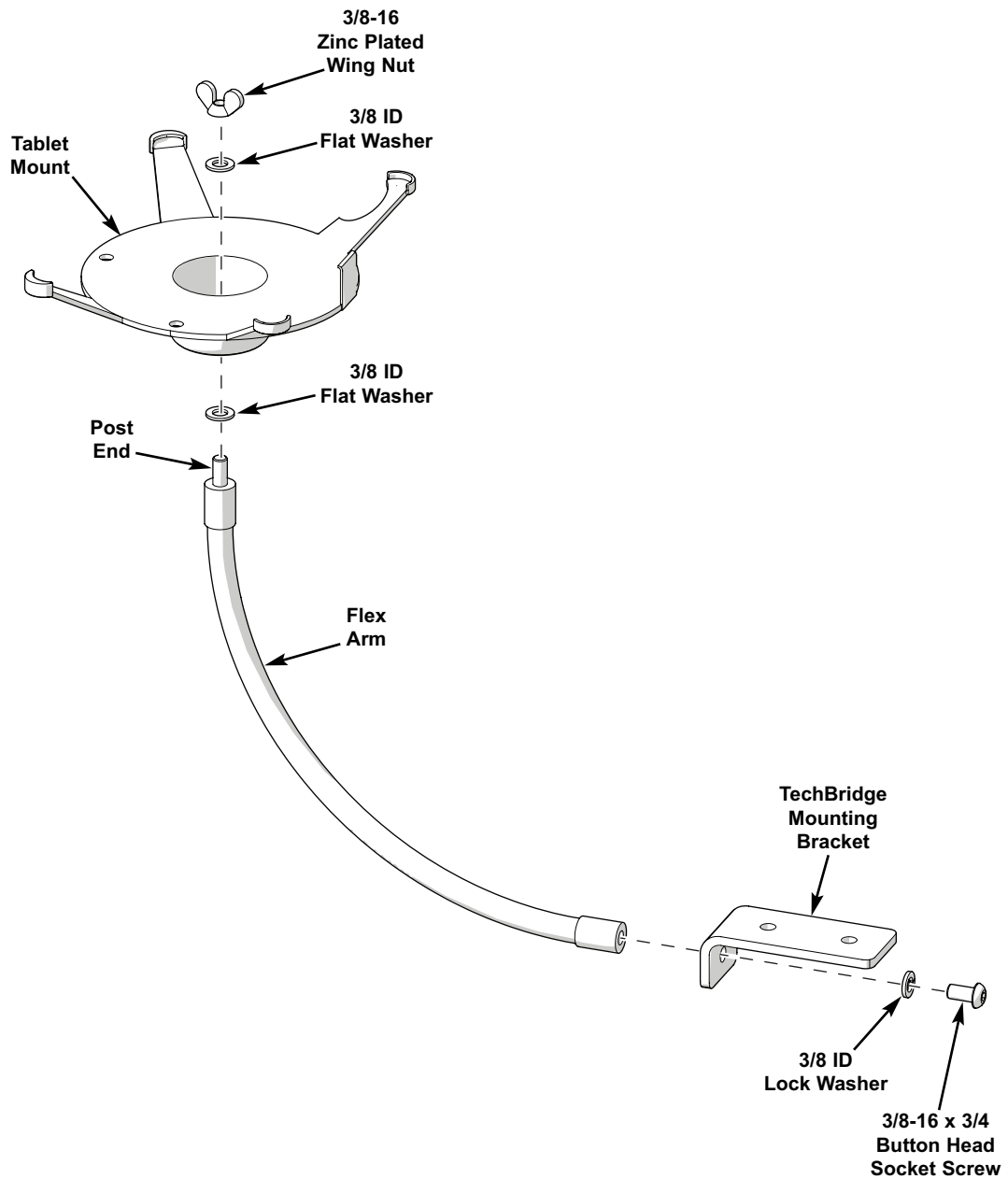


Item	Qty	Description
1	1	Tablet Mount for iPad
2	1	Flex Arm
3	1	TechBridge Mounting Bracket
4	1	Nyloc Locking Wing Nut, Zinc Plated, 3/8-16
5	2	Nylon Flat Washer, 3/8 ID

Item	Qty	Description
6	1	Button Head Socket Screw, 3/8-16 x 3/4
7	2	Carriage Bolt, 3/8-16 x 1-1/4
8	2	Divider Wing Nut, 3/8-16
9	1	Lock Washer, 3/8 ID

ASSEMBLY

1. Assemble the Tablet Mount for iPad as shown.
 - a. Attach the Tablet Mount to the Post-End of the Flex Arm using two 3/8 ID Flat Washers and a 3/8-16 Zinc Plated Nyloc Locking Wing Nut. Securely tighten the Wing Nut using a Pliers.
 - b. Attach the TechBridge Mounting Bracket to the other end of the Flex Arm using a 3/3 ID Lock Washer and 3/8-16 x 3/4 Button Head Socket Screw. Tighten the Screw until the Lock Washer compresses and the end of the Flex Arm cannot be rotated against the face of the Bracket.



ASSEMBLY (CONTINUED)

2. Attach the Tablet Mount to the Bridge Extrusion as shown.

IMPORTANT: *If the Base Assemblies have already been attached, one must be removed to attach the Tablet Mount, it can then be re-attached.*

- a. From the underside of the Bridge Extrusion, slide the head of one 3/8-16 x 1-1/4 Carriage Bolt into each channel at end of both slots as shown.
- b. Slide the two holes in the Mounting Bracket onto the Carriage Bolts.
- c. Secure the Tablet Mount Assembly to the Bridge Extrusion using two 3/8-16 Divider Wing Nuts.

