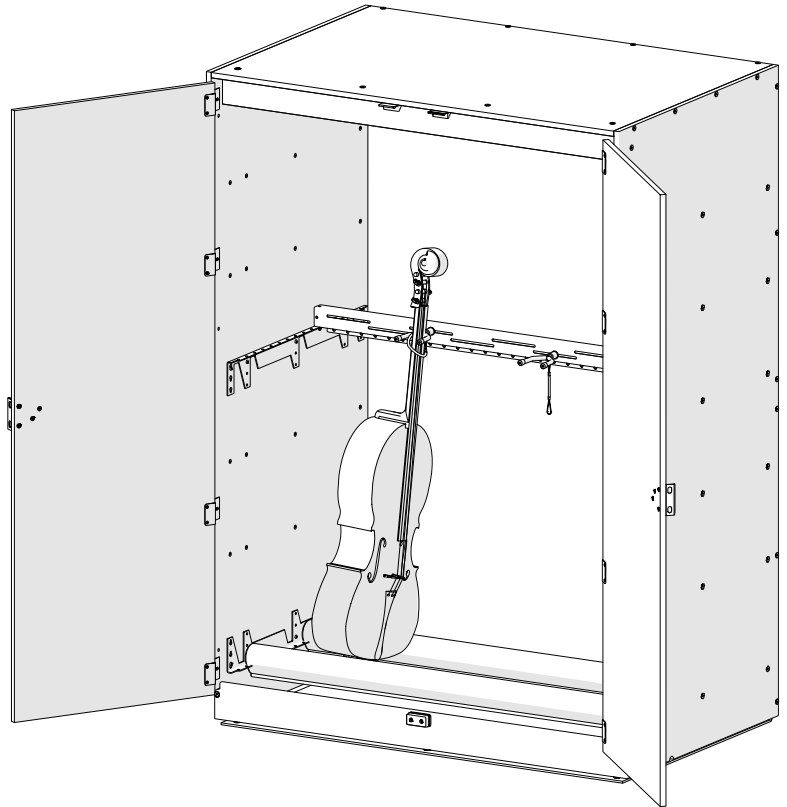




Stringed Instrument Storage Cabinet (#42)

Contents

- Important User Information 2
 - General 2
 - Manufacturer 2
 - Intended Use 2
 - Warranty 2
- Safety Precautions 3
 - Before Installation 4
 - Overview 4
 - Before You Begin 4
- Installation Procedures 4
- Required Tools 5
- Wall Fasteners - Not Supplied 5
- Hardware Parts List 6
- Assembly 7
 - Preassembly 8
 - Side, Top and Back Panels 10
 - Attach Top and Bottom Stretchers 13
 - Levelers 15
 - Final Cabinet Adjustment 16
 - Final Cabinet Bank Assembly 16
 - Installing Instrument Storage Accessories 16
- Level Cabinets 17
- Attach Doors - Double Full-Length Doors 19
- Attach Backing - AcoustiCabinets Only 21
- Secure Cabinets - UltraStor 22
 - Connect Cabinets Together 22
 - Secure Cabinets to the Back Wall 24
 - Secure Cabinets Back-to-Back 25
- Secure Cabinets - AcoustiCabinets 26
 - Connect Cabinets Together 26
 - Secure Cabinets 2-1/2" from Back Wall 28
 - Secure Cabinets Back-to-Back 29
- Finished Back Kit Installation 31
- Side Cover Panel Installation 31
 - End Cover Panels 31
 - Center Cover Panels 33
- Closure Panel Installation 34
- Storage Cabinet Maintenance 34
 - Cleaning 34
 - Humidity Control 34
- Instrument Support Group Installation 35
 - Instrument Support Group Arrangements 35
 - Installation 36
- Instrument Neck Yolk Accessories 40
 - Assembly 41
 - Securing Instruments 42
 - Securing Instruments with a Cable Lock 43



Visit the Storage Products web page at wengercorp.com for detailed instructions and videos.

Note: Please read and understand these instructions before assembling or installing.

Note: If you need additional information, contact Wenger Corporation using the information below.

Important User Information

General

Copyright © 2024 by Wenger Corporation

All rights reserved. No part of the contents of this manual may be reproduced, copied, or transmitted in any form or by any means including graphic, electronic, or mechanical methods or photocopying, recording, or information storage and retrieval systems without the written permission of the publisher, unless it is for the purchaser's personal use.

Printed and bound in the United States of America.

The information in this manual is subject to change without notice and does not represent a commitment on the part of Wenger Corporation. Wenger Corporation does not assume any responsibility for any errors that may appear in these instructions.

In no event will Wenger Corporation be liable for technical or editorial omissions made herein, nor for direct, indirect, special, incidental, or consequential damages resulting from the use or defect of these instructions. The manufacturer reserves the right to change this product at any time.

The information in this document is not intended to cover all possible conditions and situations that might occur. The end user must exercise caution and common sense when assembling or installing Wenger Corporation products. If any questions or problems arise, call the Wenger Corporation at (800) 4WENGER (493-6437) or +1-507-455-4100 worldwide.

Manufacturer

The Stringed Instrument Storage Cabinet (#42) is manufactured by:

Wenger Corporation
555 Park Drive
Owatonna, MN 55060
(800) 4WENGER (493-6437) • +1 (507) 455-4100
wengercorp.com

Intended Use

- This product is intended for indoor use in normal ambient temperature and humidity conditions — it must not be exposed to prolonged outside weather conditions.
- This product is intended to be assembled and used only as described in these instructions.

Warranty

This product is guaranteed free of defects in materials and workmanship for ten full years from date of shipment. A full warranty statement is available upon request.

Safety Precautions

Throughout this document you may find cautions and warnings which are defined as follows:

- **WARNING:** Failure to follow the instruction could result in serious injury or damage to property.
- **CAUTION:** Failure to follow the instruction could result in minor injury or damage to property.

Read all of these safety instructions before assembling, installing or using the cabinets.

⚠ CAUTION
<i>Make sure anyone assembling or setting up the cabinets has read and understands these instructions.</i>

⚠ CAUTION
<i>Failure to comply with Warnings and Cautions in this document can result in damage to property or serious injury.</i>

⚠ CAUTION
<i>It is unsafe for only one person to assemble or move the cabinets.</i>

⚠ WARNING
<i>Make sure the cabinets are securely attached to walls or adjoining cabinets after assembly is complete.</i>

⚠ CAUTION
<i>Always wear safety glasses and gloves when assembling or installing the cabinets.</i>

⚠ CAUTION
<i>Assemble and install the cabinets only on flat, solid surfaces.</i>

⚠ CAUTION
<i>Do not stand or walk on the top of any cabinet.</i>
<i>The stringed instrument storage cabinet (#42) has a top maximum load capacity of 50 lb (23 kg).</i>

⚠ CAUTION
<i>Do not hang anything from cabinet doors or shelves.</i>

⚠ CAUTION
<i>Make sure instrument supports are securely fastened.</i>

Before Installation

Overview

- Assembly and installation should be performed by skilled technical persons, and only after carefully studying these instructions.
- It is suggested that the cabinets are setup in a space that is large enough to safely handle the cartons, pieces, finished cabinets, and dunnage.
- Inspect the condition of the wall and floor where the cabinets will be located. If the wall is not straight, establish a reference line so that the fronts of all cabinets will line up. Also, determine the highest point on the floor, which will establish the leveled height of each row of cabinets.
- Build only one cabinet at a time, to avoid intermixing parts. Build each according to these instructions for the specific model.
Do not start installing doors until all cabinets are assembled and in their final location, leveled, and secured to adjacent walls and cabinets.
- After all cabinets are in place, distribute the door cartons and door hardware sets to each cabinet. Assemble and hang the doors one at a time according to the instructions. Then clean off any fingerprints, dirt, and dust, using a clean rag and mild spray cleaner or acetone.

Before You Begin

Keep the packing list with the cabinet, for reference until the unit is completely assembled.

- Read the complete assembly procedure before beginning the assembly.
- The cabinet carton is marked with the cabinet number.
- Hardware packs may contain extra fasteners that are not required on all cabinets.
- Because of the variety of possible wall surfaces, wall fasteners are not included. Have your maintenance personnel recommend an appropriate type for safe, secure attachment and have the fasteners available before assembling the cabinet.
- At least two people (preferably four) are required to assemble the cabinet and set it upright.

Installation Procedures

1. Assemble the cabinet according to "Assembly" on page 7.
2. Level the cabinet according to "Level Cabinets" on page 17.
3. If the cabinet has doors, attach them according to "Attach Doors" on page 19.
4. If the cabinet is an AcoustiCabinet, attach the backing material according to "Attach Backing" on page 21.
5. Secure cabinets to the structure walls or secure them together according to "Secure Cabinets" on page 22 for UltraStor and page 26 for AcoustiCabinets.
6. Install optional cover panels to the exposed cabinet ends according to "Finished Back Kit" and "Cover Panel Installation" on page 31.
7. Install optional top closure panels to close empty spaces behind cabinets according to "Closure Panel Installation" on page 34.
8. Install the instrument supports according to "Instrument Support Group Installation" on page 35.
9. Install neck yolk accessories according to "Instrument Neck Yolk Accessories" on page 40.

Required Tools

- Open-end wrenches: 1/4", 3/8", 7/16", 1/2"
- Screwdrivers: flat head, phillips head
- 5/32" Hex bit
- 7/16" wrench
- Cordless drill with 3/16" and 3/8" bits and sockets
- Plastic mallet
- Non-marring clamps
- Carpenter's level
- Carpenter's square
- Tape measure
- Utility knife
- Impact driver
- Pencil
- Power saw (if installing closure panels)

To save assembly time, it is recommended to have more than one of each type of screwdriver on hand.

Wall Fasteners - Not Supplied

Because materials and construction of walls can vary, fasteners for attaching the cabinets to the structure are not provided.

The installer must choose the appropriate fastener and follow the manufacturer's instructions.

⚠ CAUTION

Inferior or improperly installed fasteners could cause the cabinets to tip over.

Determine the construction of the walls.

If cabinets are attached to the wall and adjacent cabinets; no attachment to the floor is required for standard installation.

For seismic, peninsula or island configurations, cabinets would be attached to the floor.

For more information, see the "Secure Cabinets" procedures on page 22 for UltraStor and page 26 for AcustiCabinets.

Cabinet Fastener Guidelines:

- If the wall is wood stud-and-drywall construction, attachment should be by lag screws (1/4" minimum)
- If the wall is metal stud-and-drywall construction, attachment should be by toggle bolt (1/4" minimum)
- If the wall is concrete block construction, attachment should be by concrete screw (Tapcon) or toggle bolt (1/4" minimum)
- If the wall is poured concrete construction, attachment should be by concrete screw (Tapcon) or wedge-type concrete anchors

NOTICE

Each wall connection must be rated for a minimum of 500 lb of tension. Other fasteners may be used if the connection strength requirement is met.

Hardware Parts List

Cabinet Assembly Fasteners

- ①
#8 x 5/8"
Pan Head Screw

②
5/8" x 1/4"
Tack Glide

③
Wood Dowel

④
3/8-16 x 2-1/2"
Glide Leveler
- ⑤
7 x 50 mm
Hex Socket Lag Screw - Unpainted

⑥
1/4-20
Insert Nut
(Oyster color)

⑦
#8-32
Insert Nut
(Oyster color)

⑭
#10-24 x 2"
Pan Head Screw
(used for door stop)
- ⑮
#10-24
Nylon Lock Nut

⑰
1/4-20 x 5/8"
Machine Screw

⑱
1/4-20 x 2-1/2"
Carriage Bolt

⑲
1/4-20
Nylon Lock Nut
- ⑳
7 x 50 mm
Hex Socket Lag Screw - Black

㉑
7 x 50 mm
Hex Socket Lag Screw - Pepper Dust

㉒
7 x 50 mm
Hex Socket Lag Screw - Almond
- ㉔
7 x 50 mm
Hex Socket Lag Screw - Oyster

㉖
10-24
Hex Socket Cap Nut
(used for wood doors)

㉓
#7 x 5/8"
Flat Head Screw
(used for wood doors)

㉕
8-32 x 3/4"
Machine Screw
(used for door hinges)
- ㉗
1/4-20 x 1.77"
Hex Socket Machine Screw - Oyster
(used for cabinet-to-cabinet connections)

End Cover Panel Fasteners

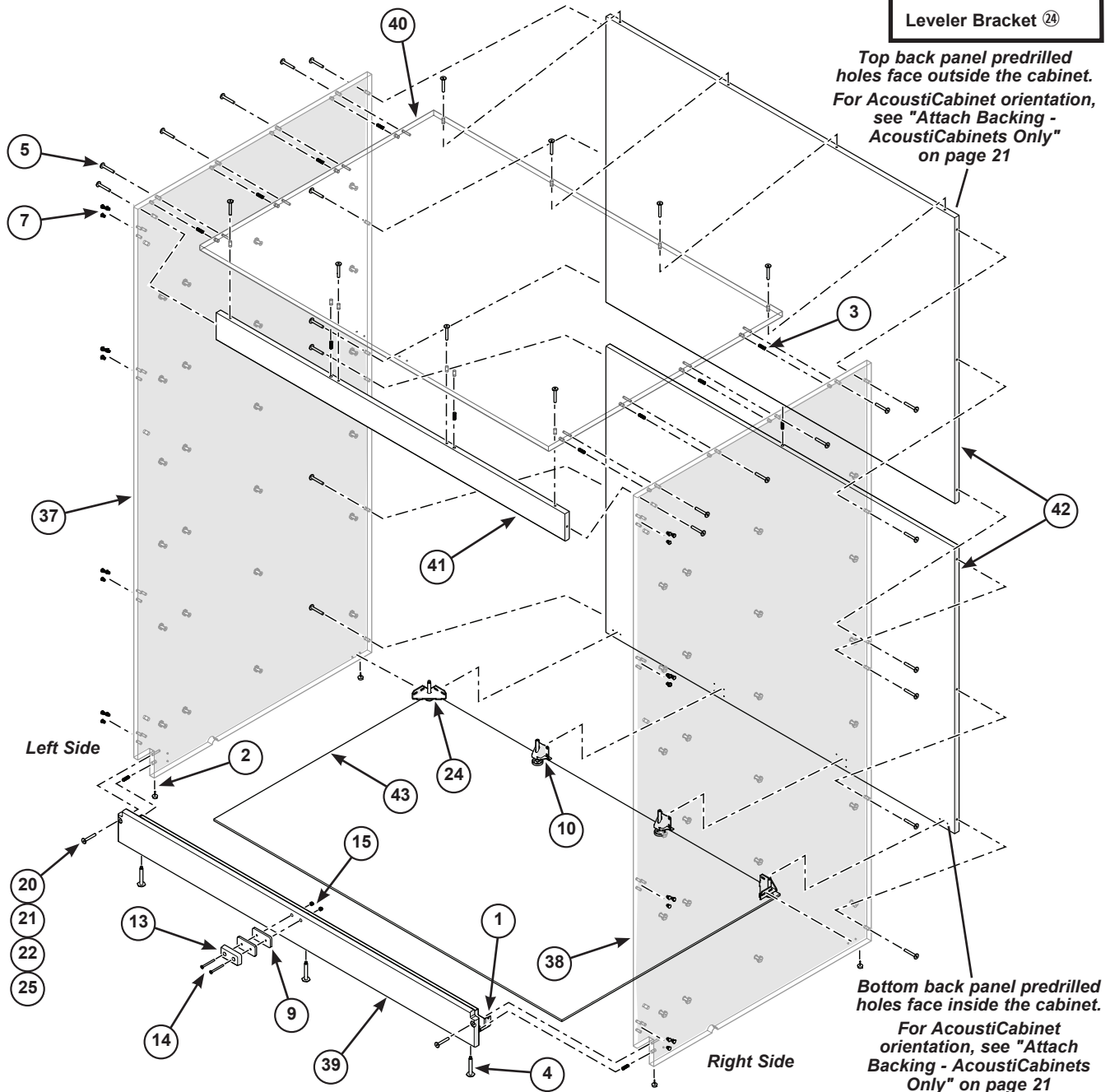
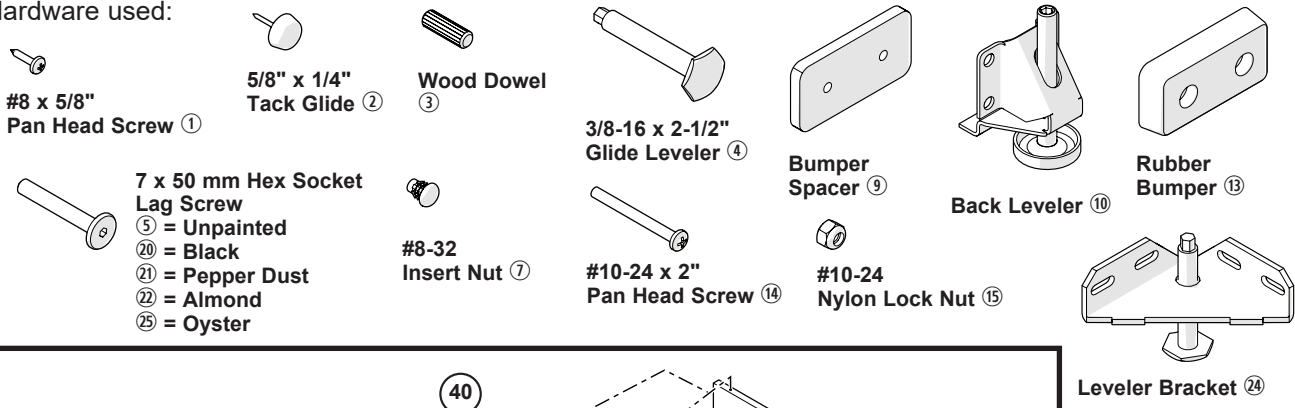
- ㉘
1/4-20 x 2.359"
Machine Screw - Oyster
(used for cabinet-to-cabinet connections
with center cover panel)

㉙
#8 x 1-3/8"
Wood Screw
(used to attach cover panel)

*Depending on configuration, not all hardware may be used.

Assembly

Hardware used:



Assembly (continued)

Preassembly

Side Panels

Note: For panel orientation:

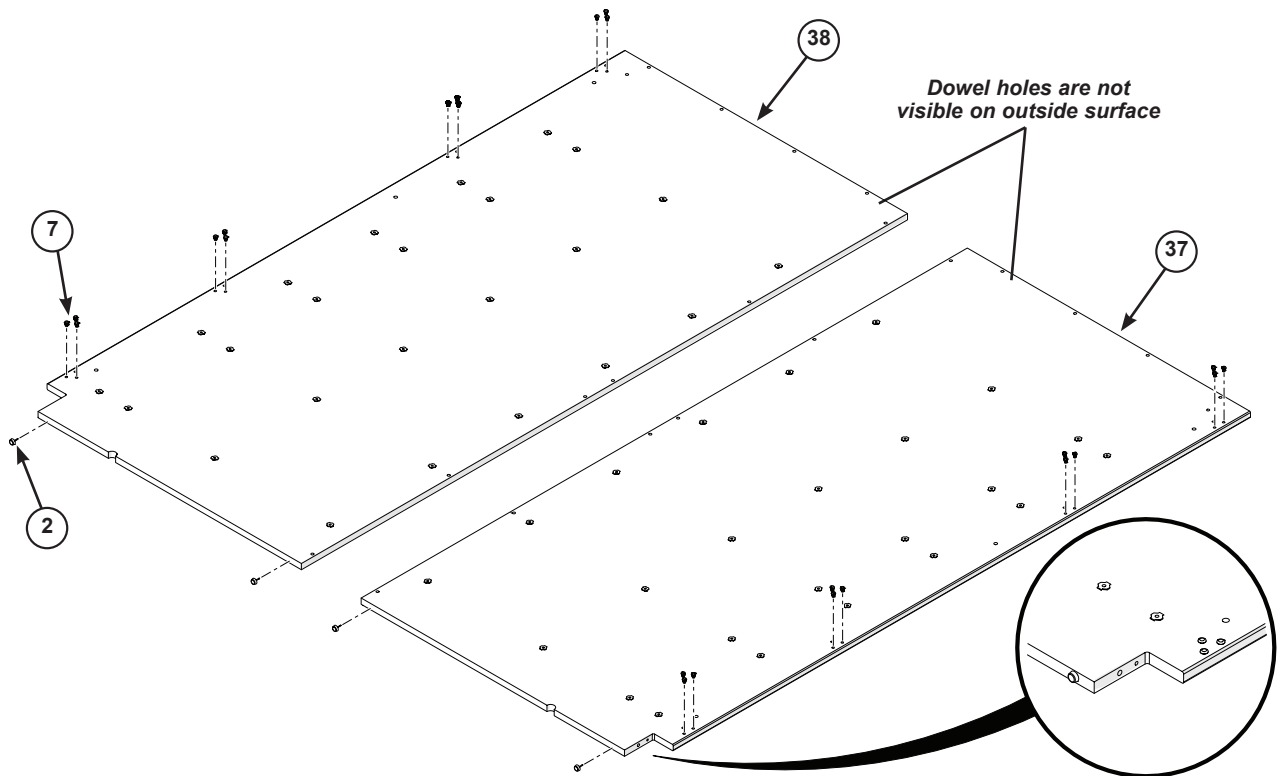
The left side panel ③⑦ and right side panel ③⑧ have a notch in the bottom front corner.

1. Lay the right side panel ③⑧ flat on a smooth clean surface with the outside surface up. **The dowel holes do not go through to the outside surfaces.**
2. Install door mount hardware.

Skip this step if doors will not be installed.

Install door hinge insert nuts to the outside surfaces.

Use a plastic mallet to pound #8-32 insert nuts ① into the holes (three per hinge mount) located toward the front edge of each panel. These will later be used for door hinges.



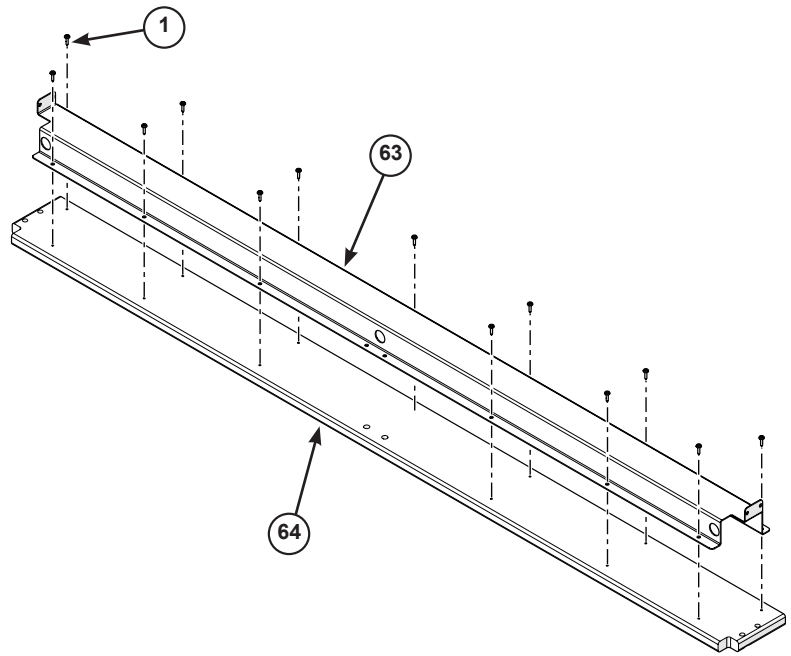
3. Tack glides help protect corners and edges while moving the cabinet into place. Push and hammer plastic tack glides ② into the bottom edge of the side panel approximately 2" (51 mm) from the corners.
4. Repeat steps 1 through 4 on the left side panel ③⑦.

Assembly (continued)

Preassembly (continued)

Bottom Front Stretcher

1. Attach the stretcher stiffener ⑬ to the back side of the bottom front stretcher ⑭ using thirteen #8 x 5/8" pan head screws ①.

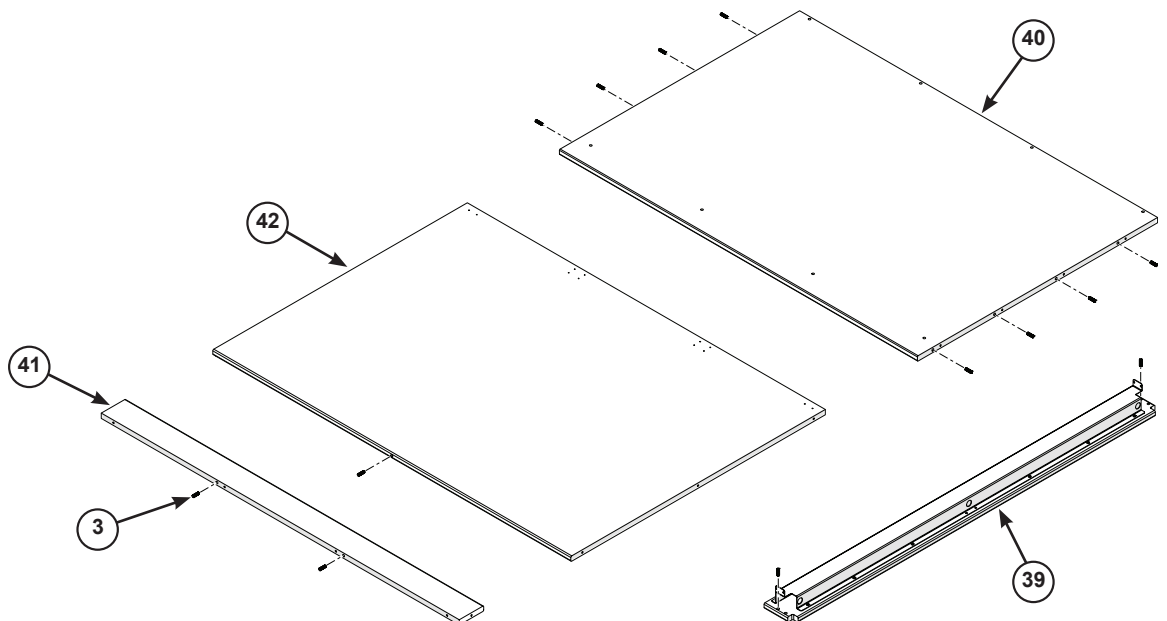


Insert Wood Dowels

Note: Panels can be large and difficult to keep aligned when attaching together with screws.

To assist, "peg" the panels first by inserting wood dowels to fit snugly into 5/16" diameter holes in the panels. They may need to be tapped into place.

1. Insert wood dowels ③ into the:
 - Four dowels into the left and right side edges of the top panel ④
 - Two dowels into the backside of the bottom front stretcher assembly ③
 - Two dowels into the top of the top front stretcher panel ④
 - One dowel into either the top or bottom edge of one back panel ④



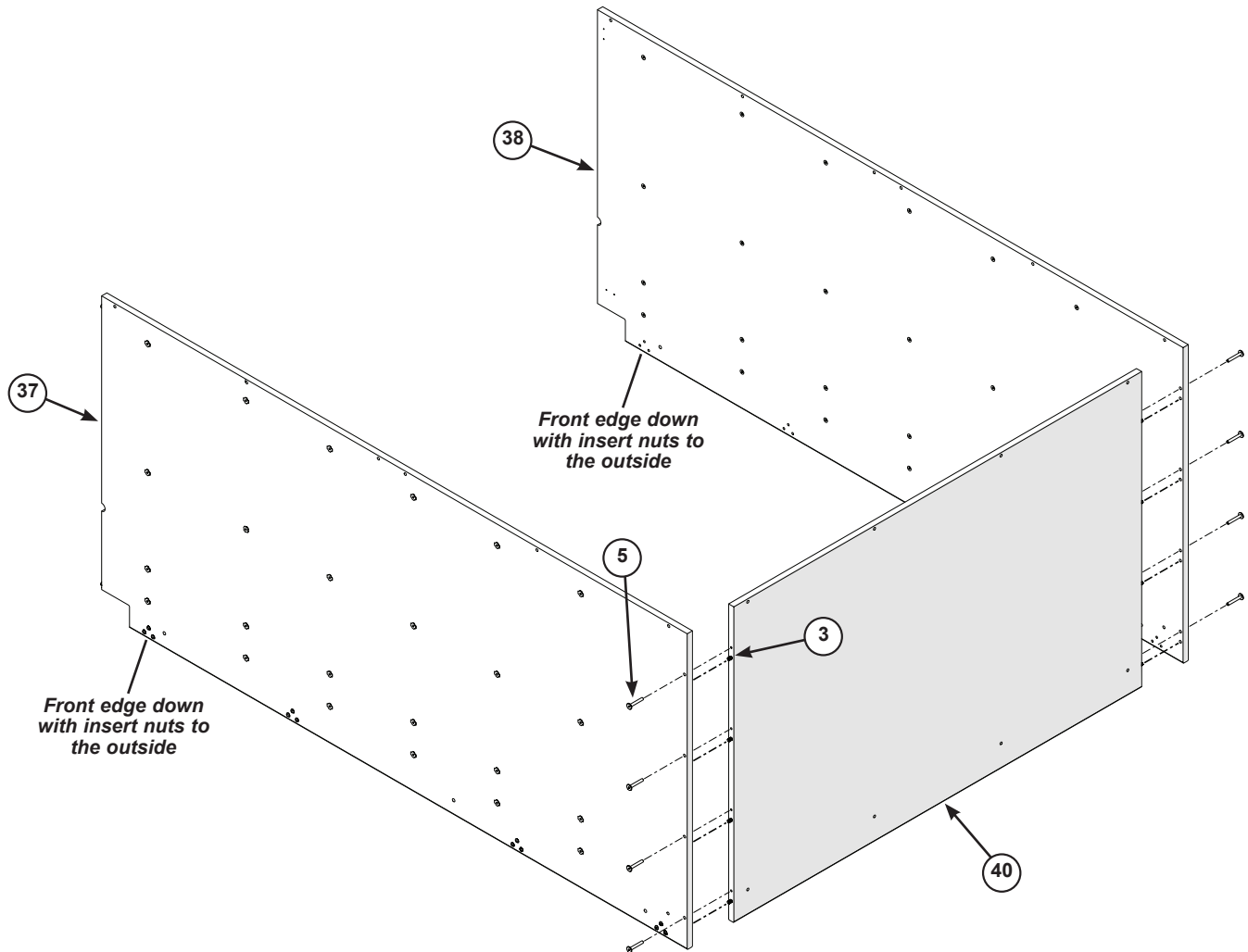
Assembly (continued)

Side, Top and Back Panels

1. Turn the left and right side panels ③⑦ and ③⑧ on edge, with the front edges down and the insert nuts to the outside.
 - a. Use the installed wood dowels ③ to peg the top panel ④⑩ to the side panels.
 - b. Loosely (approx 1/8" [3 mm] gap) attach the side panels to the side edges of the top panel with unpainted 7 x 50 mm hex socket lag screws ⑤.

CAUTION

Avoid spreading the side panels after attaching, this can damage the top and/or side panels.



Assembly (continued)

Side, Top and Back Panels (continued)

2. Towards the top of the side panels, insert two 7 x 50 mm hex socket lag screws ⑤ into the predrilled holes on each side as shown.

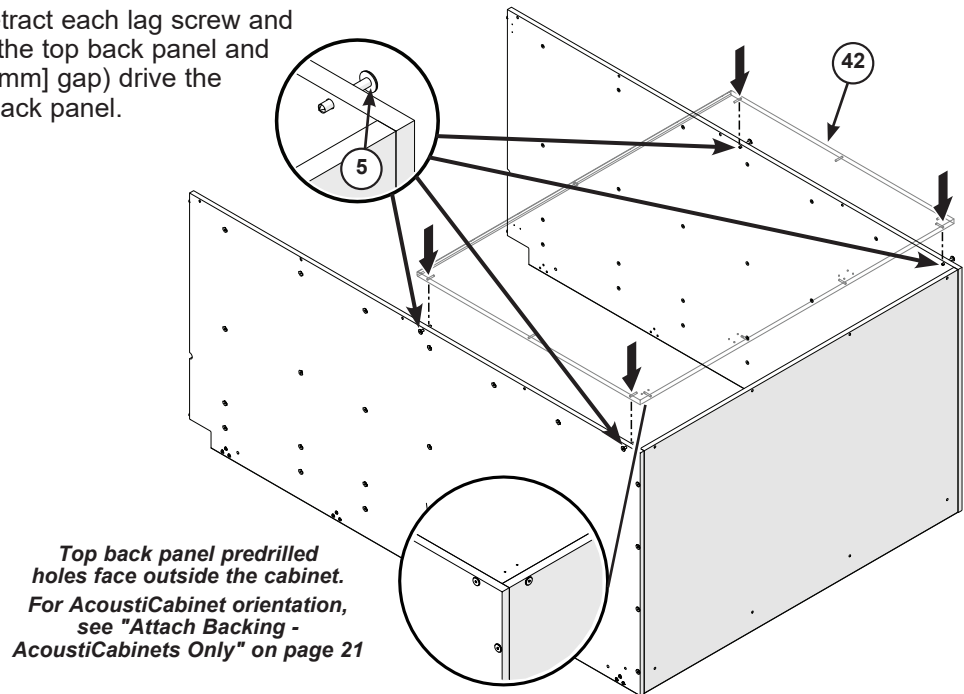
- a. Carefully lay the top back panel ④② onto the lag screws.

The top back panel is the panel without the dowel inserted during preassembly.

The predrilled holes at the top of the top back panel face outside of the cabinet.

For AcoustiCabinet orientation, see "Attach Backing - AcoustiCabinets Only" on page 21.

- b. Starting on one side, retract each lag screw and align it with the hole in the top back panel and loosely (approx 1/8" [3 mm] gap) drive the lag screw into the top back panel.

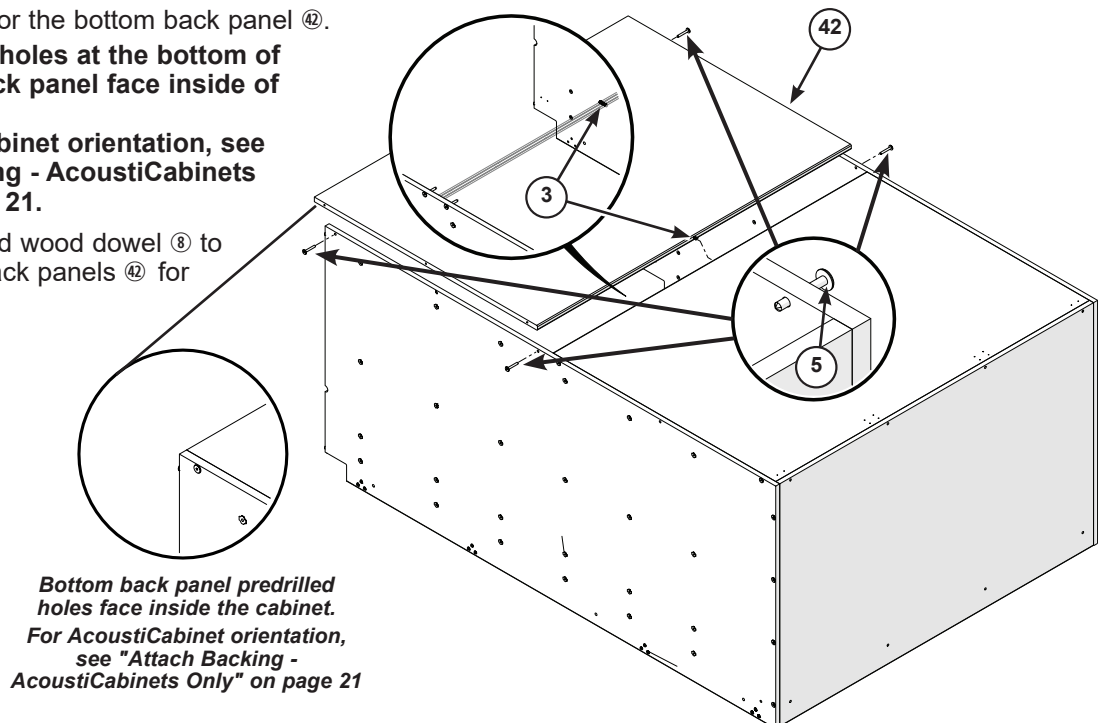


3. Repeat step 2 for the bottom back panel ④②.

The predrilled holes at the bottom of the bottom back panel face inside of the cabinet.

For AcoustiCabinet orientation, see "Attach Backing - AcoustiCabinets Only" on page 21.

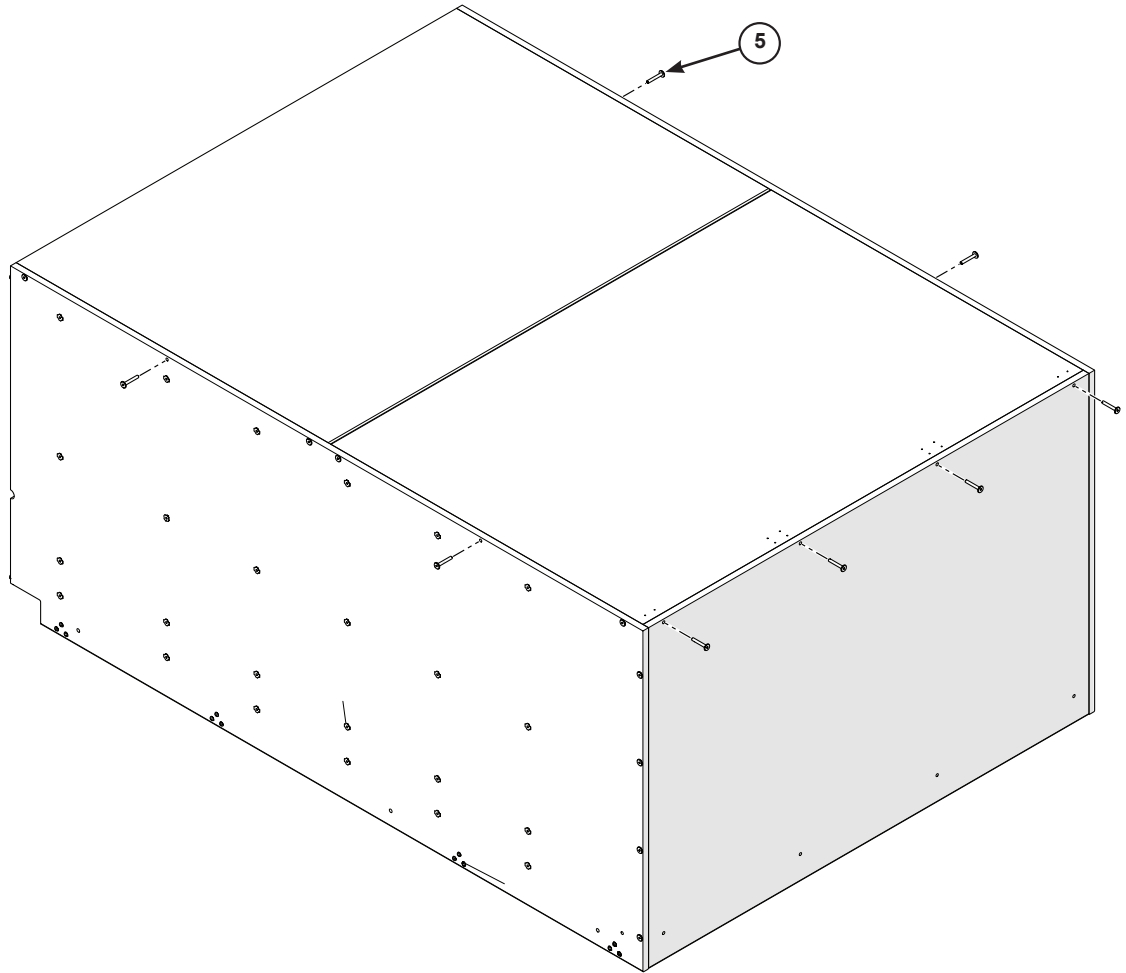
Use the installed wood dowel ③ to align the two back panels ④② for attachment.



Assembly (continued)

Side, Top and Back Panels (continued)

4. Insert the remaining 7 x 50 mm hex socket lag screws ⑤ to the top and side panels as shown.
5. Hand tighten all lag screws that were attached in steps 2-4.

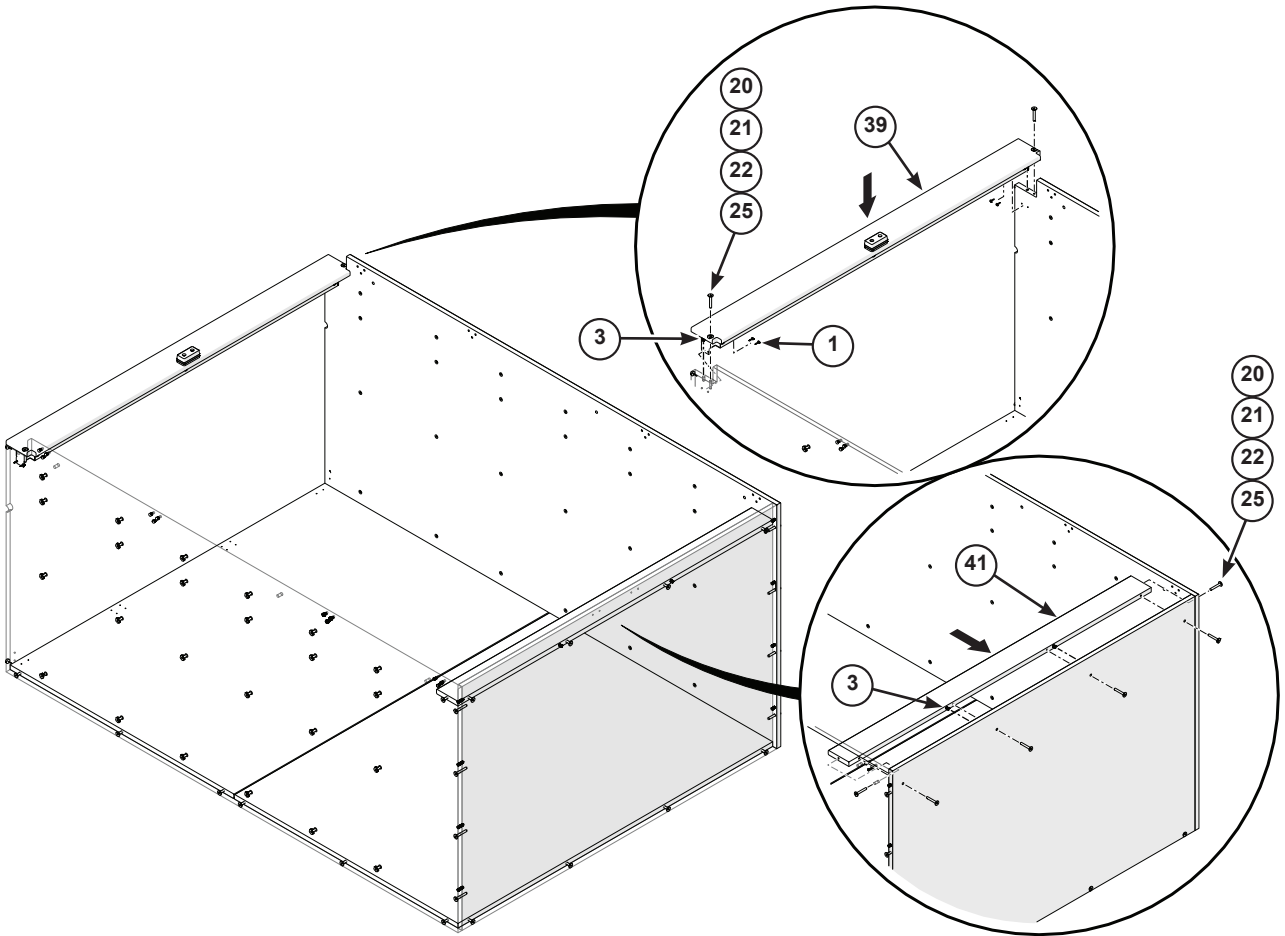


Assembly (continued)

Attach Top and Bottom Stretchers

Top Stretcher

1. Turn the cabinet assembly to face the front edges up.
2. Attach the top stretcher.
 - a. Use the installed wood dowels ③ to peg the top front stretcher panel ④ to the side panels.
 - b. Attach the top front stretcher panel to the side panels and top panel with 7 x 50 mm hex socket lag screws ②①②⑤ (use appropriate color).



Assembly (continued)

Attach Top and Bottom Stretchers (continued)

Bottom Front Stretcher Assembly

1. Assemble the bumper onto the bottom front stretcher assembly ③⑨.

Skip this step and move on to step 2 if doors will not be installed.

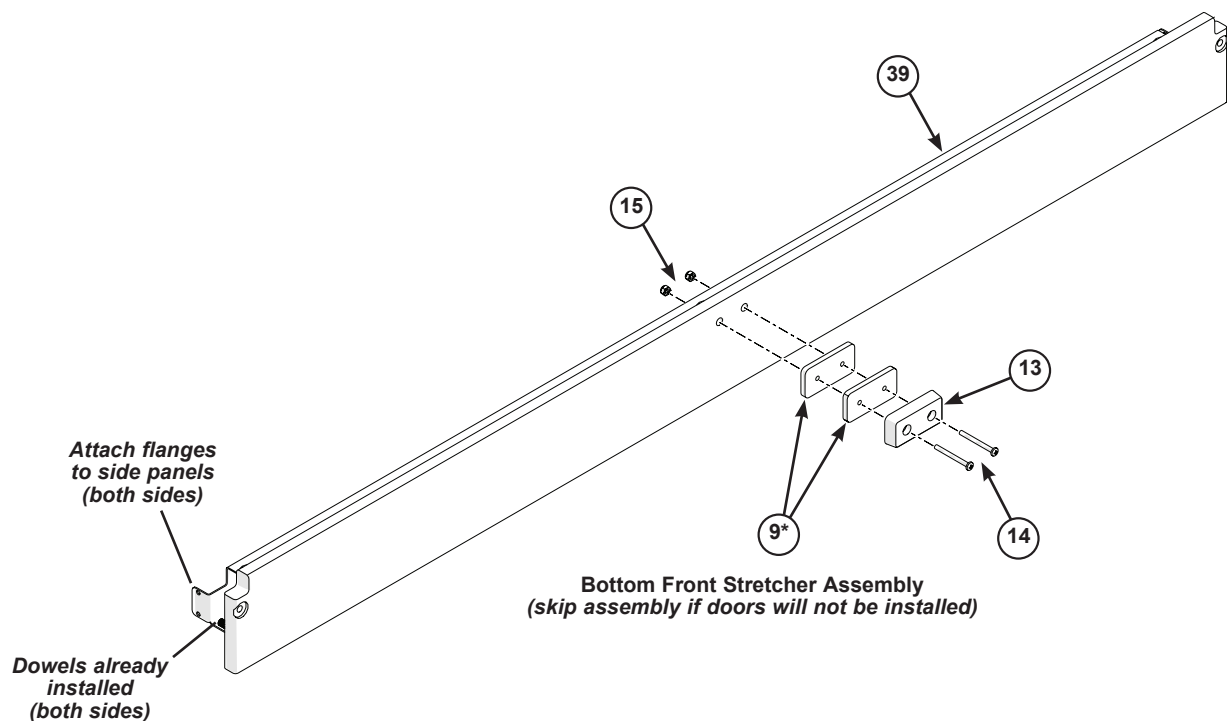
Assemble one gray rubber bumper ⑬ and bumper spacers* ⑨ onto the front of the stretcher assembly using two 10-24 x 2" pan head screws ⑭ and #10-24 nylon lock nuts ⑮.

***Install one bumper spacer ⑨ for wood door configurations and two bumper spacers for grille door configurations.**

2. Attach the bottom front stretcher assembly ③⑨.

Do not skip this step regardless of door configuration.

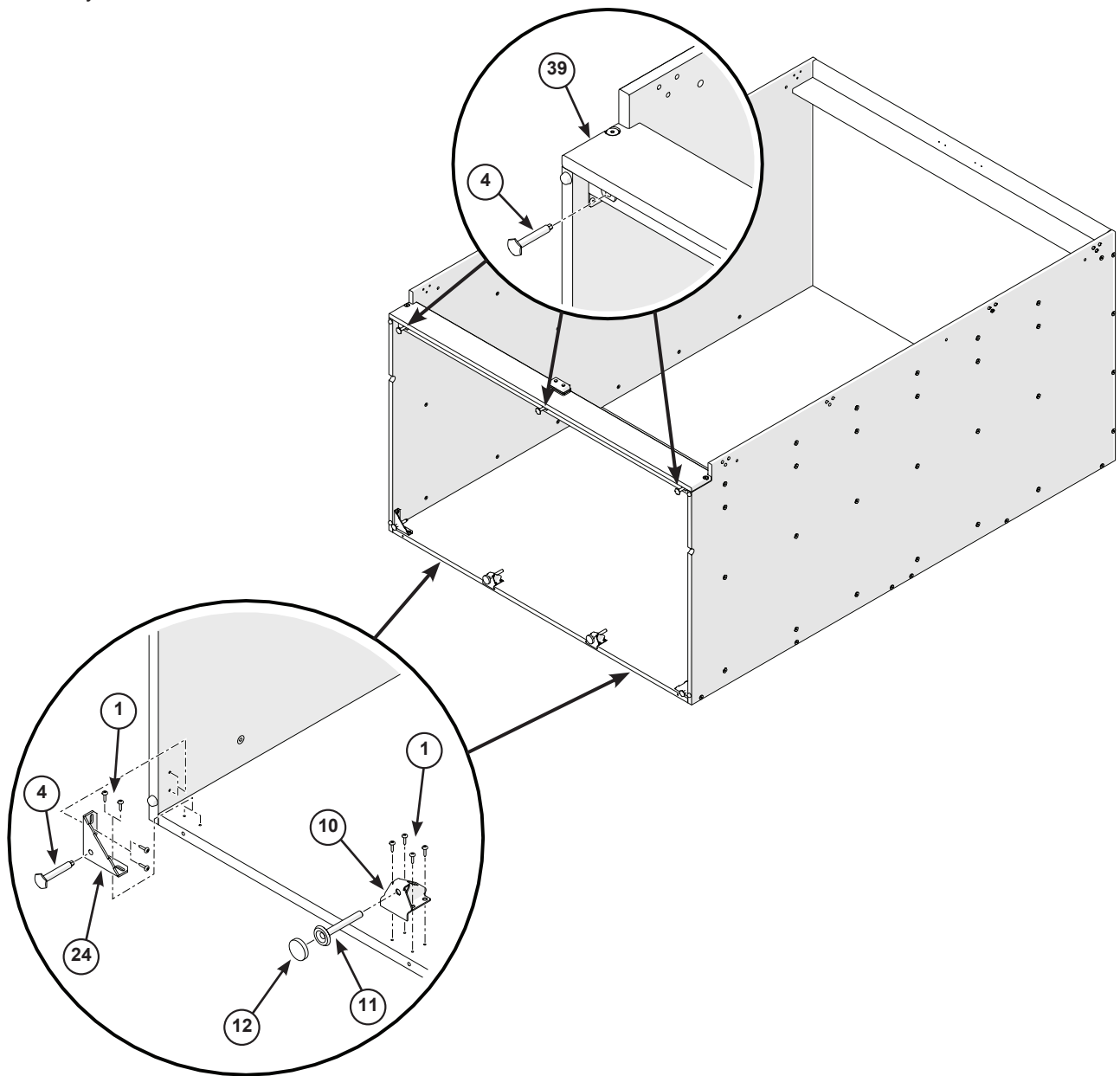
- a. Use the installed wood dowels ③ to peg the bottom front stretcher assembly ③⑨ to the side panels.
- b. Attach the front of the stretcher assembly to the side panels with 7 x 50 mm hex socket lag screws ⑳㉑㉒㉓ (use the appropriate color).
- c. Attach the flanges of the stretcher assembly to the side panels with #8 x 5/8" pan head screws ①.



Assembly (continued)

Levelers

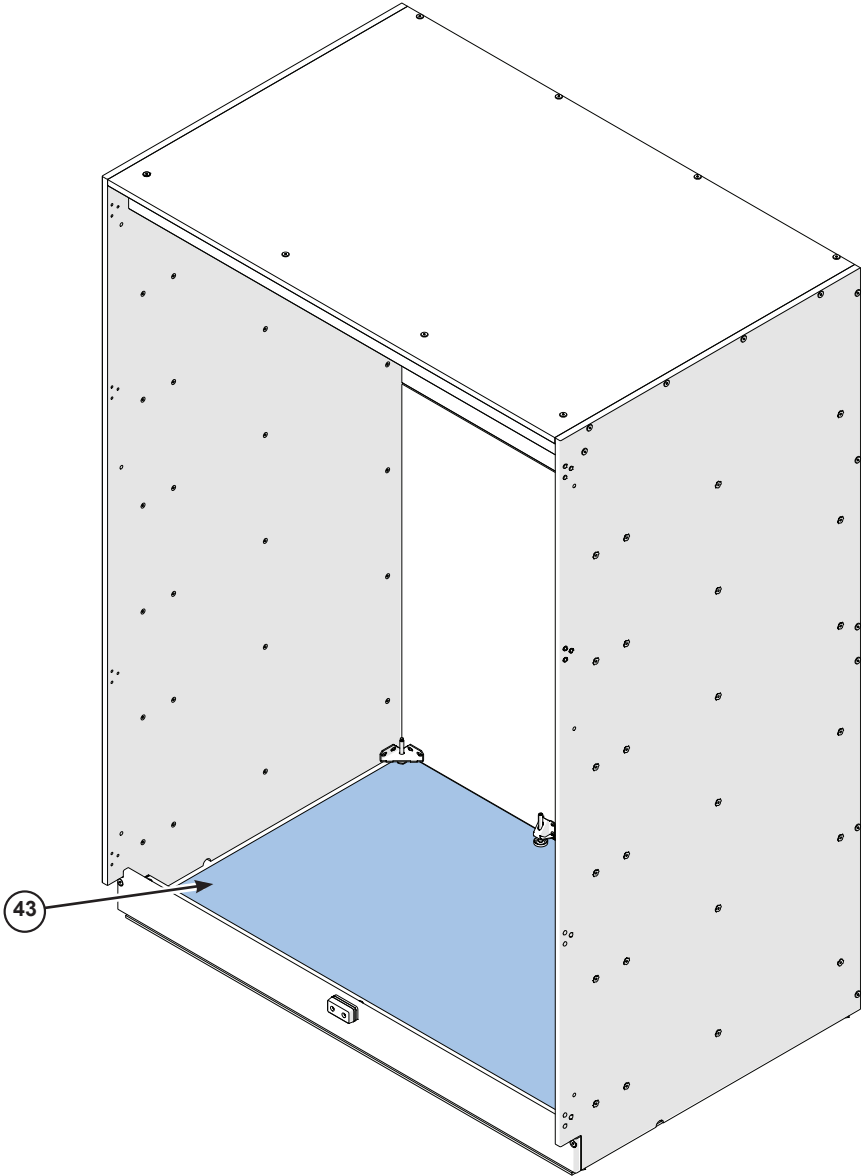
1. Attach leveler brackets.
 - a. Attach one leveler bracket ⑳ to both inside back corners of the cabinet using #8 x 5/8" pan head screws ① into the predrilled holes. May need to assemble the 3/8-16 x 2-1/2" glide leveler ④. The leveler brackets attach to the inside of both side panels and to the rear stretcher panels.
 - b. After the leveler brackets are attached, screw the levelers in so the plastic glides extend 1/4" (6 mm) further than the bottom of the levelers. The levelers will be further adjusted after the cabinet is placed in its final location.
2. Attach two back leveler brackets ⑩ to the middle of the bottom back panel using #8 x 5/8" pan head screws ① into the predrilled holes. May need to assemble the leveler glide ⑪ and leveler cap ⑫.
3. Insert three 3/8-16 x 2-1/2" glide levelers ④ through the bottom of the already installed bottom front stretcher assembly ⑳.



Assembly (continued)

Final Cabinet Adjustment

1. Tip the assembled cabinet upright on its back corners.
2. Check that the cabinet assembly is square and tighten all screws.
3. Slide the assembled cabinet to the intended location and position the floor carpet ④③ (optional) to fit underneath.
4. Level the cabinet using a 1/4" socket or wrench on the leveler brackets, see the "Leveling Cabinets" procedures on page 17.



Final Cabinet Bank Assembly

1. Assemble, position and level any remaining cabinets in the bank.
2. Upon completion, proceed to "Attach Doors" on page 19 and continue the installation.

Installing Instrument Storage Accessories

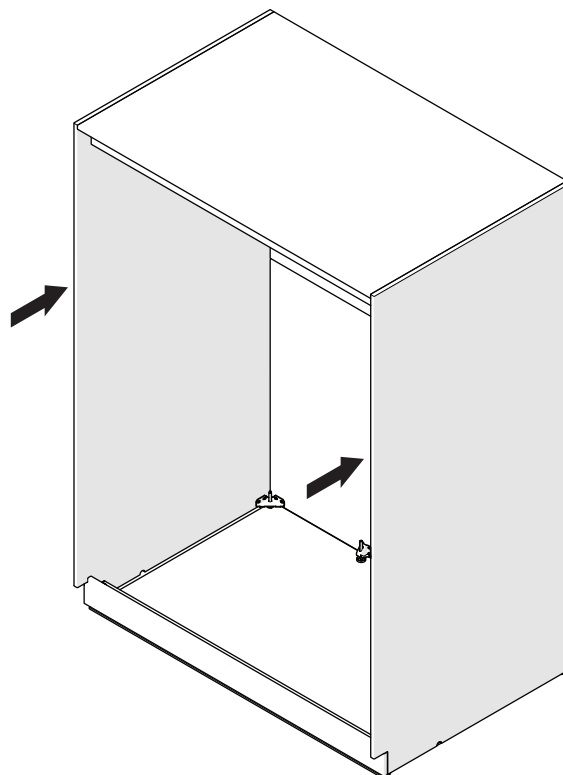
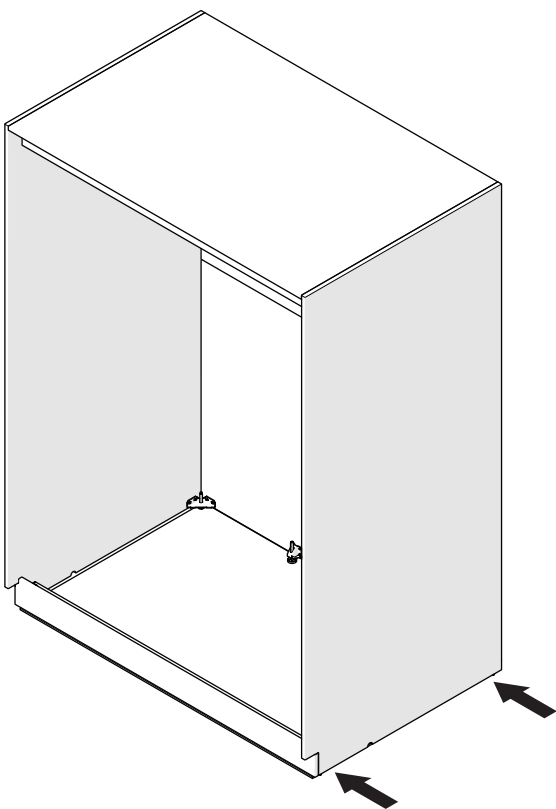
1. Install optional instrument support tubes and neck yolk supports, see the "Instrument Support Group Installation" procedures on page 35.

Level Cabinets

NOTICE

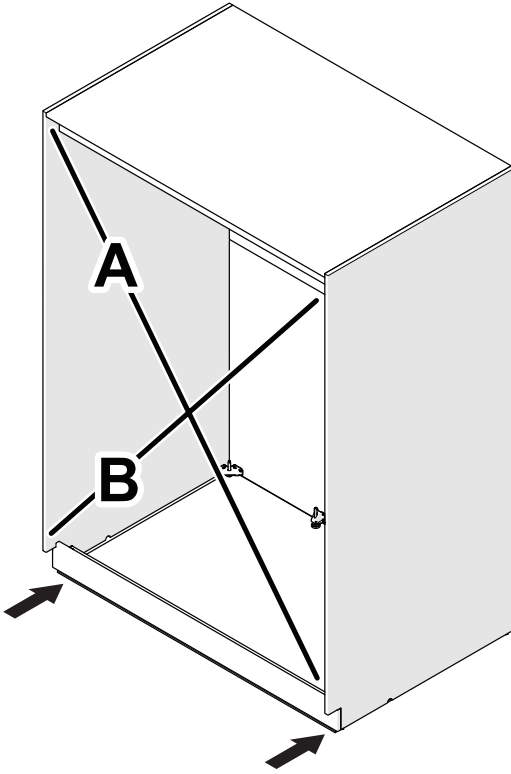
***For proper door alignment, follow these instructions carefully.
Do not try to level the cabinets to match soffits.
Do not try to plumb the cabinet to match adjacent walls.***

1. Move the assembled cabinets to be within a few inches of their final location according to the layout drawings and adjust them to be level with each other.
2.
 - a. If using the carpet pad, place it under the floor levelers.
 - b. Check the level of the entire floor where the cabinets will be installed.
 - c. Determine the highest point of the floor in that area.
 - d. The cabinet installed at this highest location will be the reference for all other cabinets to be leveled against.
3. Adjust the levelers on one side until the front edges of the cabinet side panels are plumb (side-to-side).

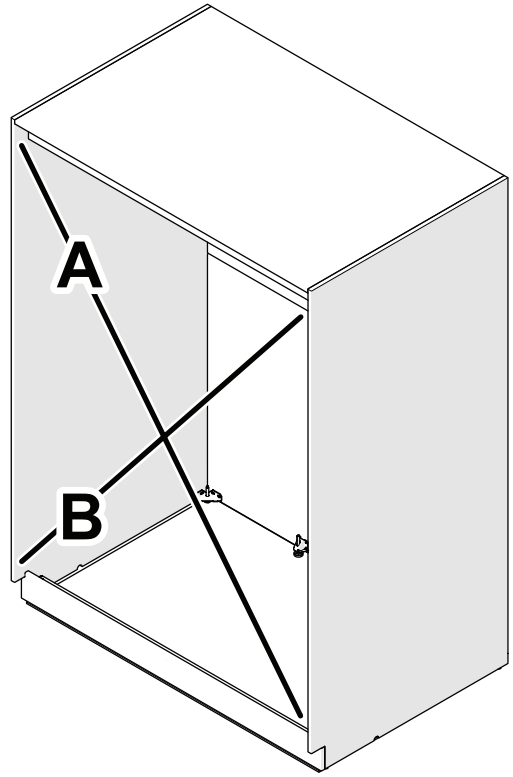


Level Cabinets (continued)

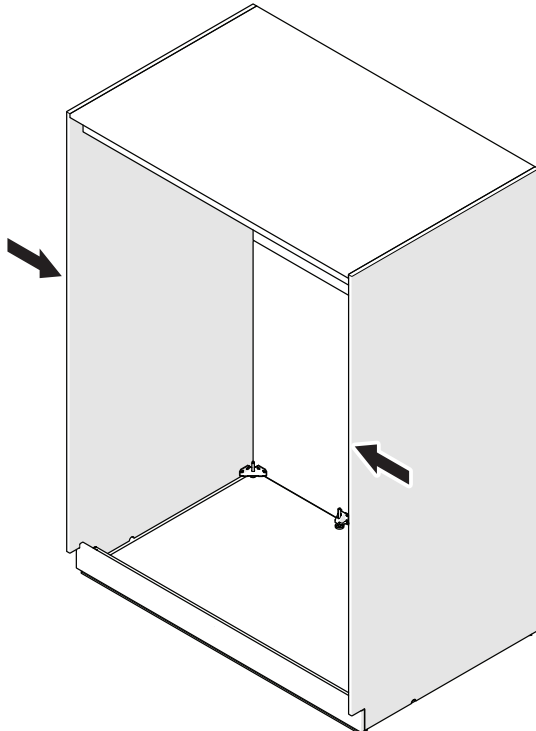
4. Measure A and B with a tape and adjust the front levelers until $A=B$ (+1/32 inch).



6. Recheck that $A=B$. Readjust if necessary (repeat steps 3-5).



5. Adjust both front levelers equally until the front edges of the cabinet are plumb (front-to-back).



7. Adjust the levelers on the adjacent cabinet so it will line up with the top of the highest cabinet.
8. All levelers should be in contact with the floor or optional floor carpet ④.
9. Repeat steps 3-8 for the remaining cabinets.

Attach Doors - Double Full-Length Doors



Wood and grille door variations are available for the cabinet models.
 To attach the doors, refer to the appropriate instructions on the following pages.
 Skip this procedure for cabinets without doors.

Hardware used:



#8 x 5/8"
Pan Head Screw ①



#8-32
Insert Nut ⑦



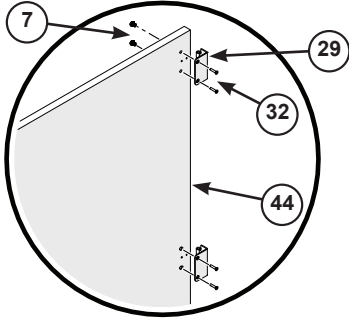
10-24
Hex Socket Cap Nut ②⑥



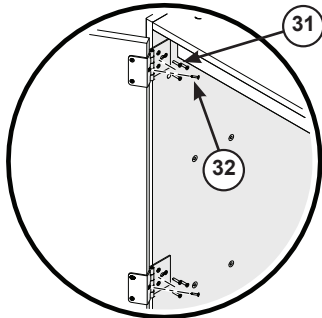
#7 x5/8"
Flat Head Screw ③①



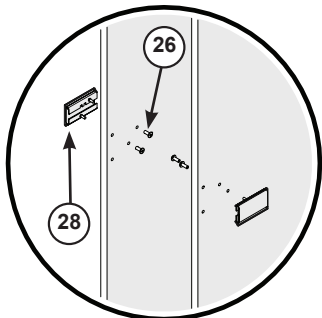
8-32 x 3/4"
Machine Screw ③②



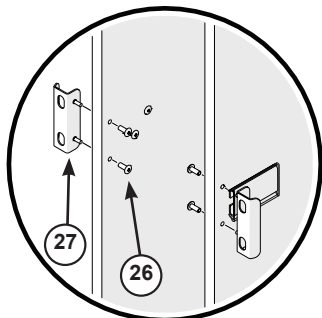
Detail A - Both Doors



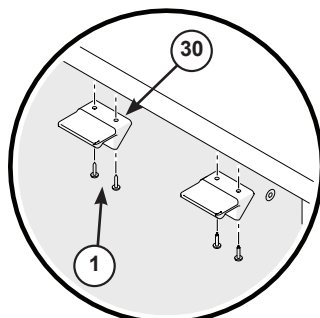
Detail B - Both Doors



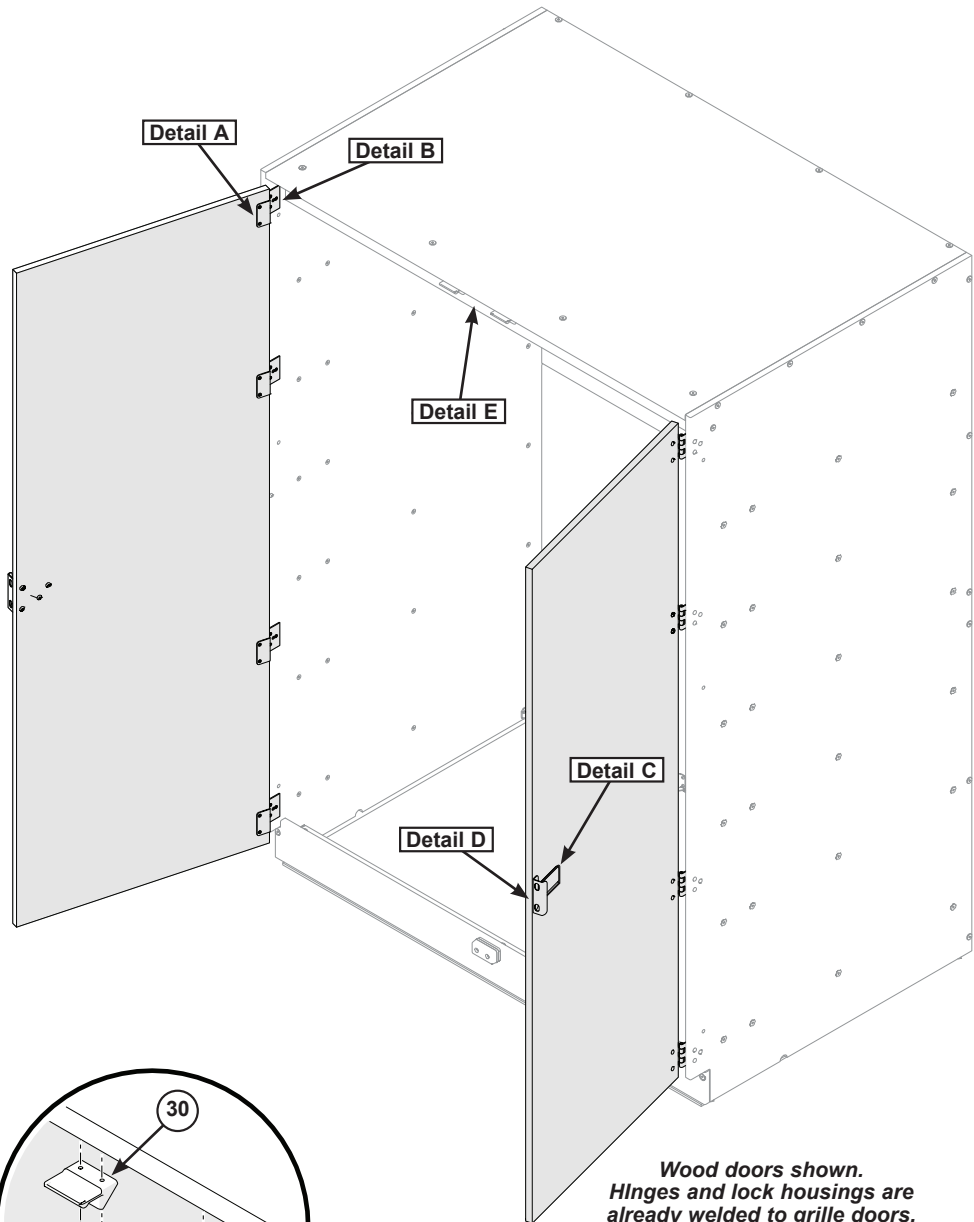
Detail C - Both Doors



Detail D - Both Doors



Detail E



Wood doors shown.
 Hinges and lock housings are
 already welded to grille doors.

Attach Doors - Double Full-Length Doors (continued)

NOTICE

The cabinet must be properly leveled before attaching doors or they will not fit properly.

To attach the doors:

1. Install door hinges.
For wood doors ④ only (skip for grille door, hinges already attached).
 - a. **See Detail A.** Install door hinge mounts.
In the front face of both doors, use a plastic mallet to pound 8-32 insert nuts ⑦ into the four sets of holes (two per hinge) located toward the rear edge.
 - b. Attach four hinges ⑨ to the inside (back face) of both wood doors using 3/4" flat head screws ⑩ into each set of installed insert nuts.
2. Attach doors to both sides of each compartment.
 - a. **See Detail B.** Hold the left side door in position on the cabinet.
Attach each hinge to the side panel using 3/4" flat head screws ⑩ into each set of installed insert nuts.
To help hold the door in place, insert the first screw into the rear-most hole in the side panel. Place the slotted hole of the hinge onto the screw and rotate it to align the other two holes. Tighten all three screws.
 - b. Repeat for the right side door.
 - c. **For wood doors ④ only.** Secure each hinge to the back edge of the door using one #7 x 5/8 flat head screw ⑪.
3. Attach lock housings.
For wood doors ④ only (skip for grille door, lock housings already attached)
 - a. **See Detail C.** Insert the card holder housing ⑫ posts into the two holes in the front face of both doors.
 - b. Insert 10-24 hex cap nuts ⑬ into the holes from the back face of the doors and tighten them onto the lock housing posts.
4. Attach door handles.
For wood doors ④ only (grille doors do not have handles)
 - a. **See Detail D.** Insert the door handle ⑭ posts into the two holes in the front face of both doors.
 - b. Insert 10-24 hex cap nuts ⑬ into the holes from the back face of the doors and tighten them onto the door handle posts.
 - c. Closing the doors aligns holes in the handles for installing a padlock.
5. Attach door catches.
 - a. **See Detail E.** Attach door catches ⑮ to the underside of the top panel at the handle side of the door using two #8 x 5/8" pan head screws ①.
6. Cabinet re-leveling may be required to ensure proper door fit.

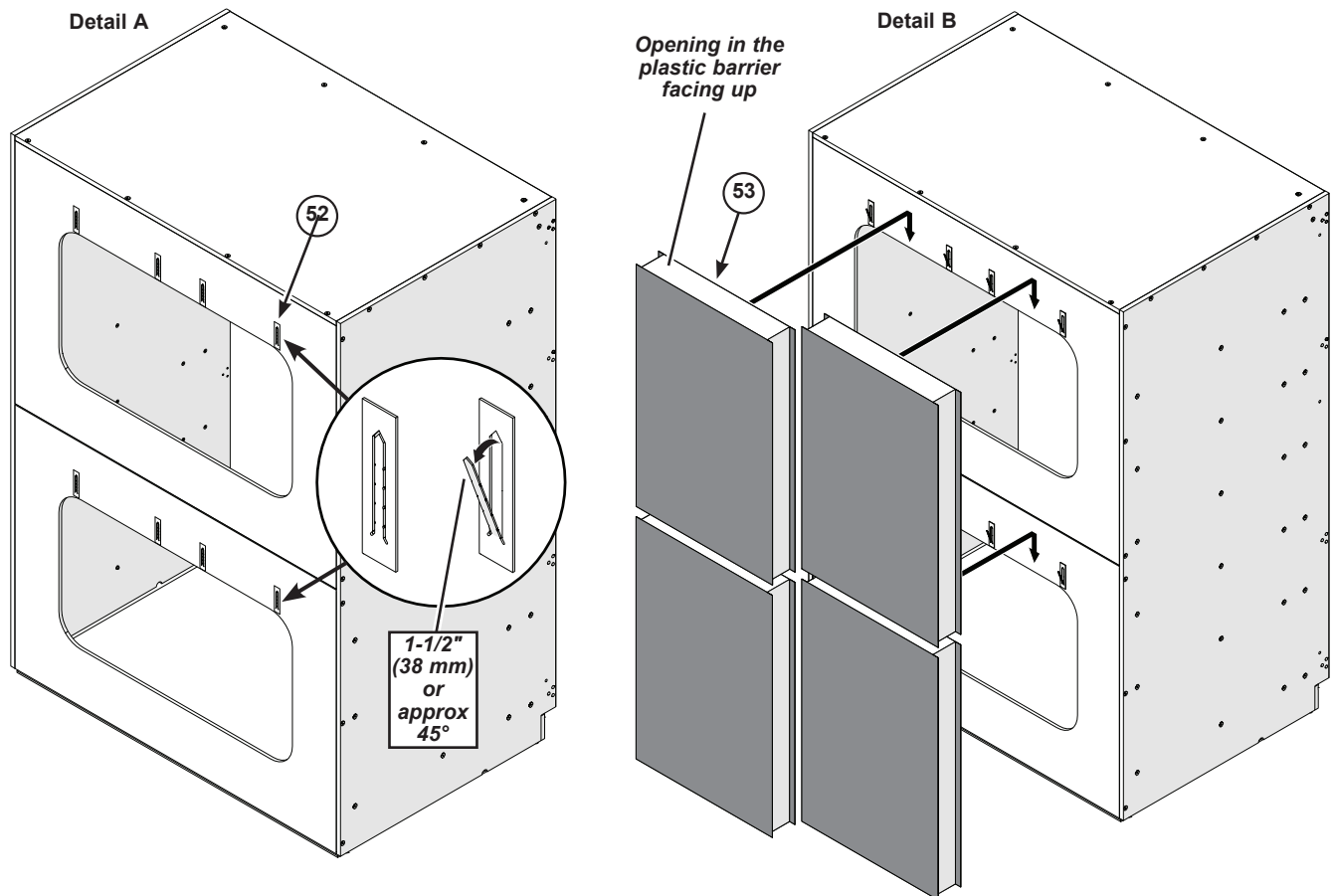
Attach Backing - AcoustiCabinets Only



This applies to AcoustiCabinets® only.

To attach the sound absorptive material to the back of the AcoustiCabinets:

1. **See Detail A.** Flip-Stix® 52 are used to hold the sound absorptive material in place. The Flip-Stix are already attached to the rear stretcher panels on the back of all AcoustiCabinets. The quantity of Flip-Stix installed on the cabinet will vary by cabinet design. On each Flip-Stix, pull the top tab out approximately 1-1/2" (38 mm) or approximately 45°.
2. Unroll and "fluff-up" the sound absorptive material to approximately 3-1/2" (89 mm) for best performance.
3. **See Detail B.** The wider stringed instrument storage cabinet (#42) will require two rolls (two pieces per roll) of sound absorptive material placed side-by-side on both the upper and lower sections as shown. Attach the sound absorptive material 53 to the back of the cabinet by placing it over half of the Flip-Stix approximately 2" (51 mm) above the desired final location with the opening in the plastic barrier facing up toward the top of the cabinet.
4. Gently pull down on the sound absorptive material to secure it into place on the Flip-Stix and pulling it level. The Flip-Stix are intended to penetrate the inside plastic and the insulation only, not the outside plastic barrier.



Secure Cabinets - UltraStor



This procedure is for securing UltraStor Cabinets, for AcoustiCabinets refer to page 26.
For standard installations only, contact Wenger for seismic installation instructions.

Connect Cabinets Together

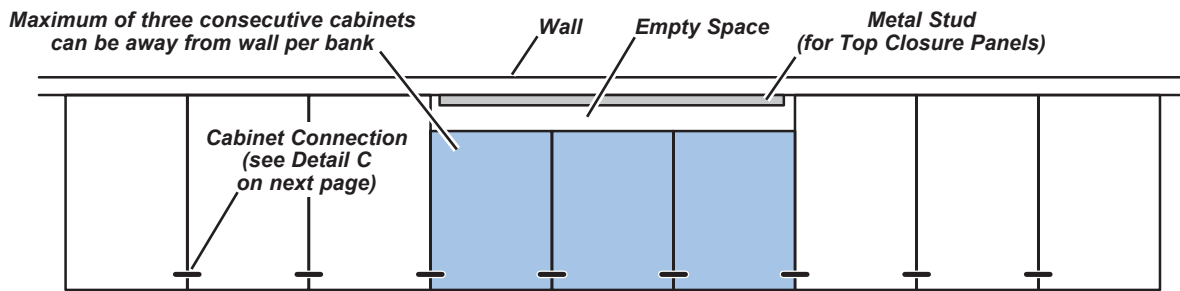
- There are three holes at the front of the side panels for securing the cabinets together.
See Detail A1. These holes are positioned to align the fronts of the cabinets to be flush.

⚠ IMPORTANT

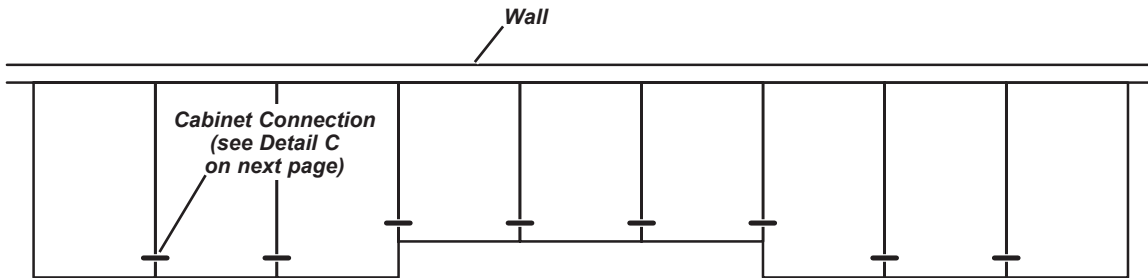
A maximum of three consecutive cabinets can be away from the wall per bank.

See Detail A2. If different depth cabinets are to be aligned at the back, new 3/8" (10 mm) holes will need to be drilled. Use the holes in the shallowest cabinet as the template for the adjacent cabinet.

- Top closure panels will be added to close off any empty space behind cabinets not flush with the back wall. See the "Closure Panel Installation" procedure.



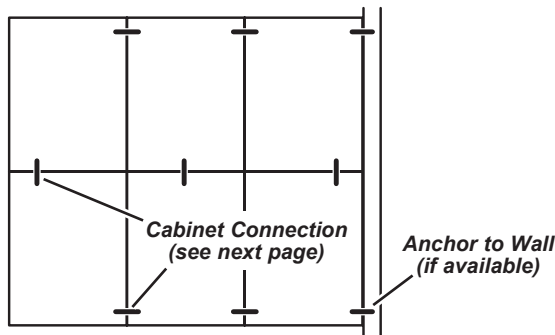
Detail A1 - Top View of Wall Mounted UltraStor Cabinets Flush Front



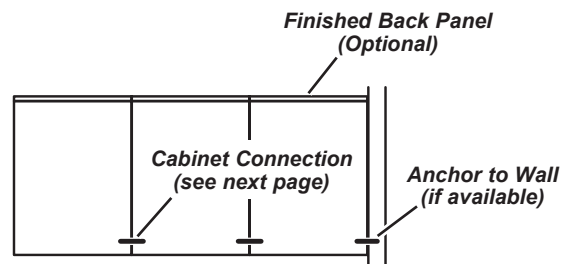
Detail A2 - Top View of Wall Mounted UltraStor Cabinets Flush Back

See Detail A3. For back-to-back island or peninsula configurations, adjacent cabinet backs must also be secured together as shown on page 25.

See Detail A4. For single island or peninsula configurations, an optional finished back panel kit is available. See the assembly instructions included with the kit.



Detail A3 - Top View of Back-to-Back Island or Peninsula Mounted Cabinets



Detail A4 - Top View of Single Island or Peninsula Mounted Cabinets

Secure Cabinets - UltraStor (continued)

Connect Cabinets Together (continued)

3. Install trim strips. See Detail B1 and B2.

- Using the attached adhesive tape, stick two trim strips ④⑤ to the side panel of one cabinet.
- Attach the longer strip to be 1/8" (3 mm) back from the front edge and flush with the top of the cabinet.
- Attach the shorter strip to be 1/8" (3 mm) back from the front edge of the bottom front stretcher assembly ③⑨ and flush with the floor.

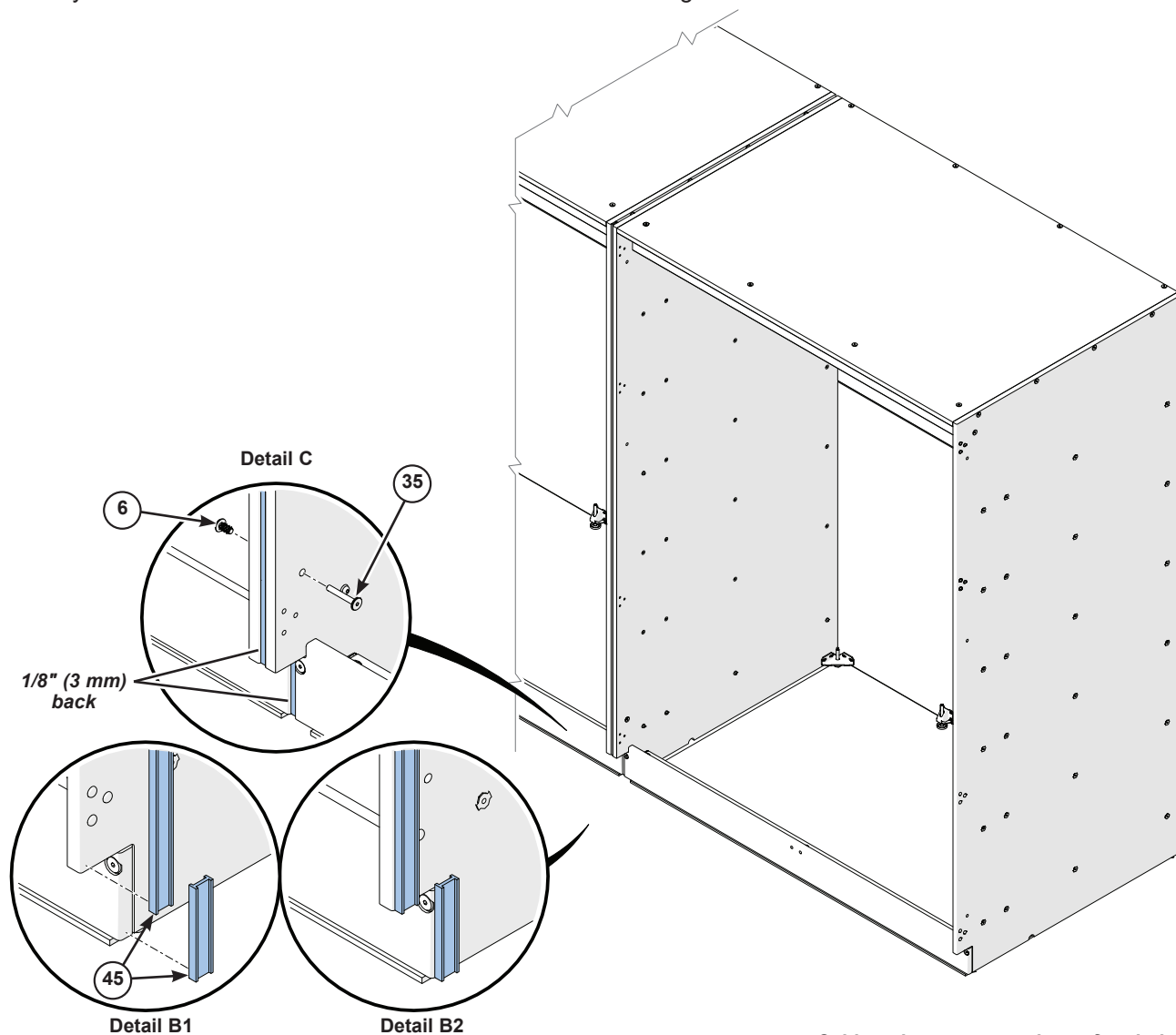
This will hold the strips in position until the cabinets are connected together.

4. Connect adjoining cabinets. See Detail C.

Note: These holes are positioned to align the fronts of the cabinets.

If different depth cabinets will be aligned at the back, new holes will need to be drilled (see previous page).

- See Detail B. Position the adjoining cabinet to align these holes and to fit against the trim strips of the previous cabinet.
- Use a plastic mallet to pound 1/4-20 insert nuts ⑥ from one side of each hole and attach them with oyster 1/4-20 x 1.77" hex socket machine screws ③⑤ through the other side.



Cabinet doors are not shown for clarity.

Secure Cabinets - UltraStor (continued)

⚠ CAUTION

In addition to the sides of the cabinets being secured, the cabinet backs must also be attached to either a back wall, to adjacent cabinets in an island formation or to the floor.

⚠ CAUTION

Inferior or improperly installed fasteners could cause the cabinets to tip over.



Cabinets must either be secured to a back wall or back-to-back with adjacent cabinets. For cabinets not flush with the back wall, see "Closure Panel Installation" on page 34. See below for securing to a back wall, see the next page for securing back-to-back.

Secure Cabinets to Back Wall

Because materials and construction of walls can vary, fasteners for attaching the cabinets to the structure are not provided. The installer must choose the appropriate fastener and follow the manufacturer's instructions. See "Wall Fasteners - Not Supplied" for more information.

Note: At least every 5th cabinet must be secured to the back wall.

Note: Make sure all the cabinets are secured together before attaching them to the back wall.

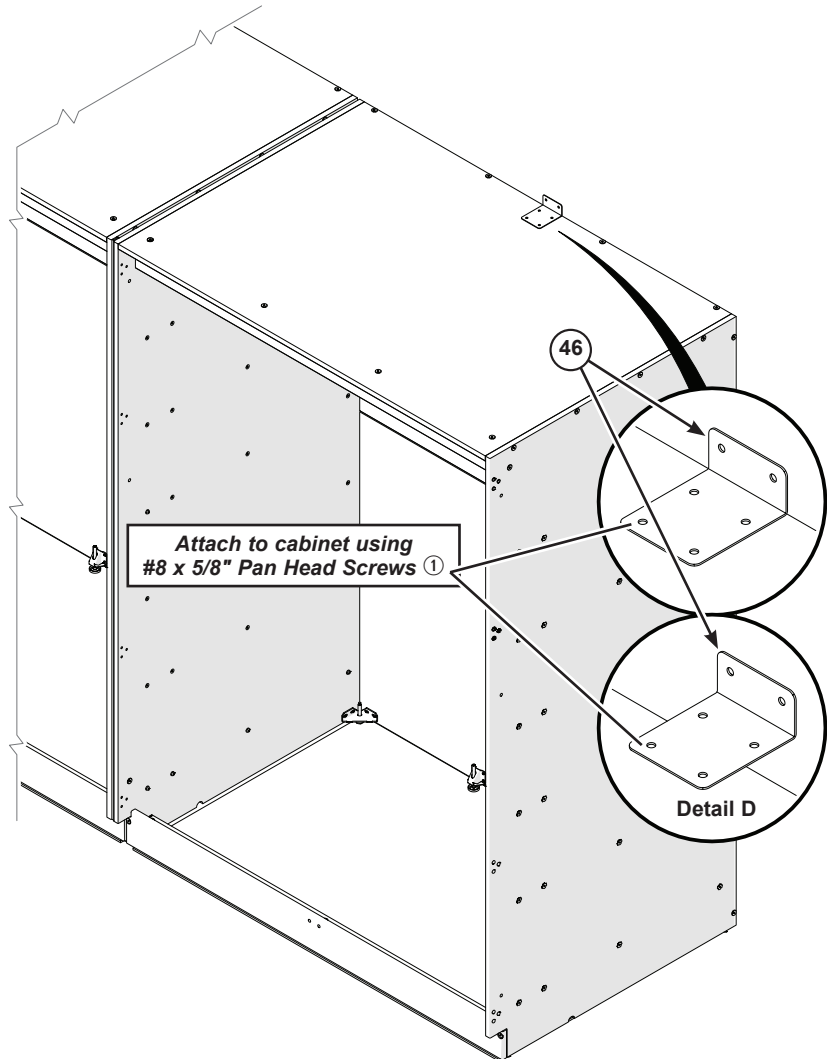
1. **See Detail D.**

Cabinets as far away as 2" (51 mm) from the back wall can be attached using cabinet connector brackets ⁴⁶ secured with #8 x 5/8" pan head screws ¹.

The brackets have extra holes for the best fit on the top of the cabinet.

2. Instead of using the bracket, holes may be drilled through both the back panel and top rear stretcher 2" to 3" (51 to 76 mm) down from the top of the inside.

3. Attach the wall bracket or cabinet back to the wall surface.



Cabinet doors are not shown for clarity.

Secure Cabinets - UltraStor (continued)

⚠ CAUTION

In addition to the sides of the cabinets being secured, the cabinet backs must also be attached to either a back wall, to adjacent cabinets in an island formation or to the floor.

⚠ CAUTION

Inferior or improperly installed fasteners could cause the cabinets to tip over.



Cabinets must either be secured to the floor or back-to-back with adjacent cabinets. See below for securing back-to-back, see the previous page for securing to a wall.

Secure Cabinets Back-to-Back

Hardware for this procedure may be packaged separately.

Because materials and construction of walls can vary, fasteners for attaching the cabinets to the structure are not provided. The installer must choose the appropriate fastener and follow the manufacturer's instructions. See "Wall Fasteners - Not Supplied" for more information.

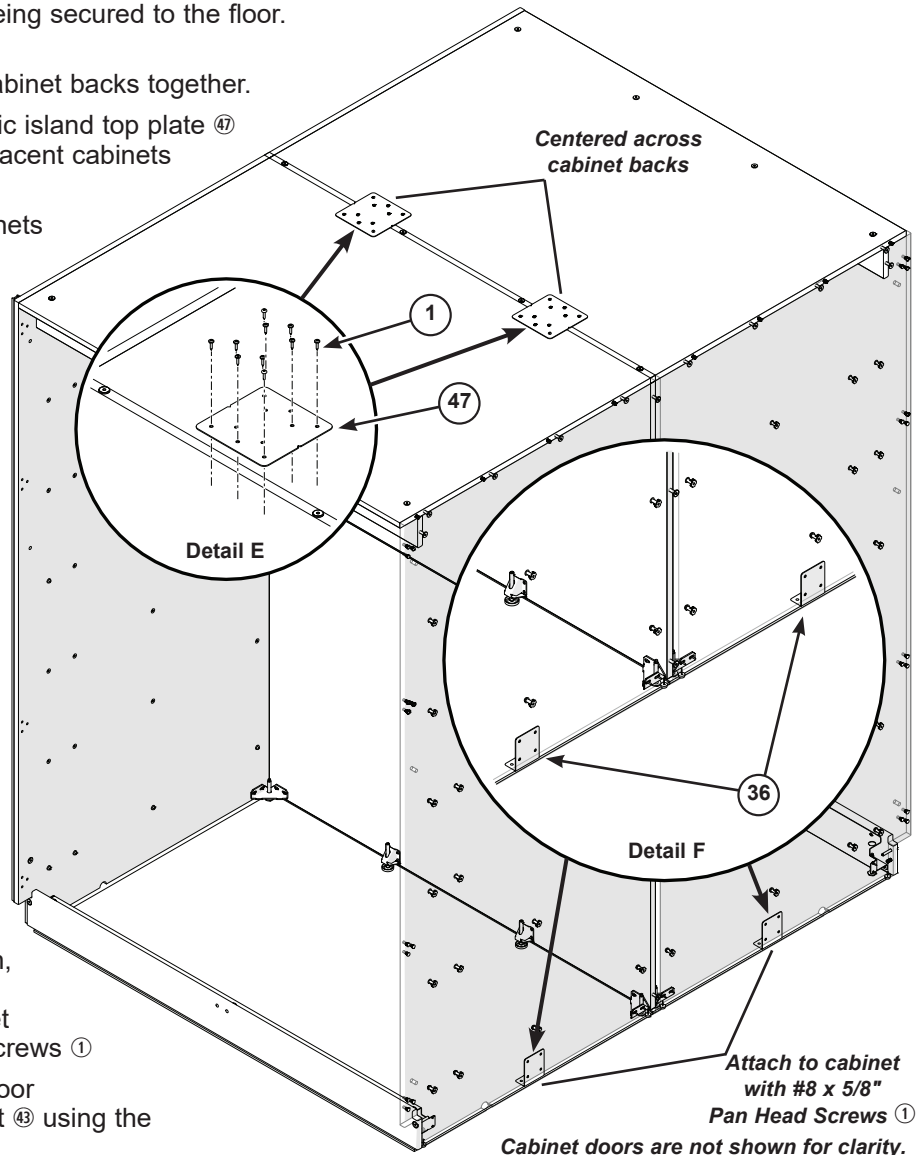
Note: Make sure the cabinet sides are secured together before attaching them back-to-back.

Note: If cabinets are installed in a back-to-back formation, adjacent cabinets must be connected across the tops in addition to being secured to the floor.

1. See Detail E.

Connect the tops of adjacent cabinet backs together.

- Center one UltraStor seismic island top plate ④⑦ across the backs of two adjacent cabinets as shown.
- Attach the plate to the cabinets using ten #8-15 x 5/8" pan head screws ① (five per cabinet) as shown.



2. See Detail F.

Since the cabinets are not secured to a wall, they must be secured to the floor.

- At the ends of the formation, attach one cabinet cleat ③⑥ to the inside of each cabinet using #8 x 5/8" pan head screws ①
- Secure the bracket to the floor (underneath the floor carpet ④) using the appropriate fasteners.

Secure Cabinets - AcoustiCabinets



This procedure is for securing AcoustiCabinets, for UltraStor Cabinets refer to page 22.
For standard installations only, contact Wenger for seismic installation instructions.

Connect Cabinets Together

- There are three holes at the front of the side panels for securing the cabinets together.

See Detail A1

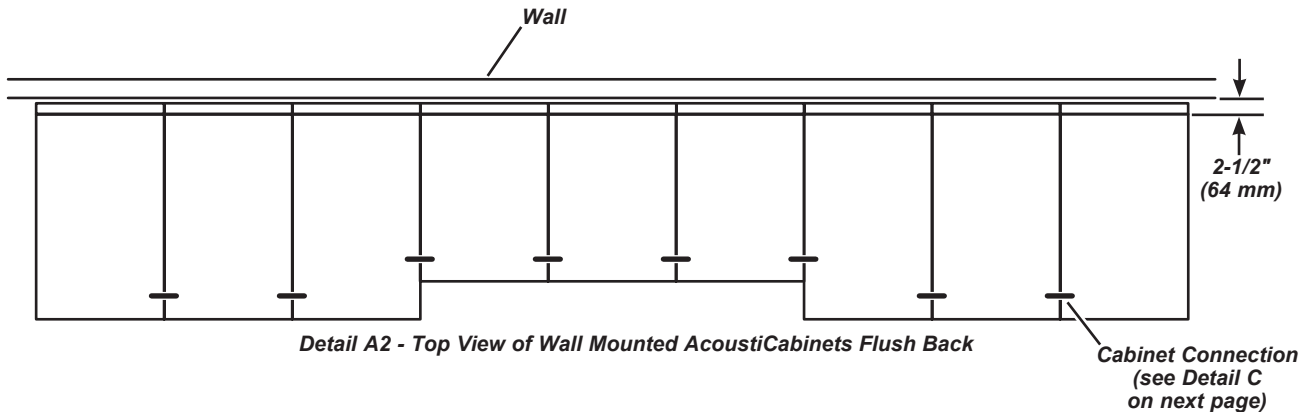
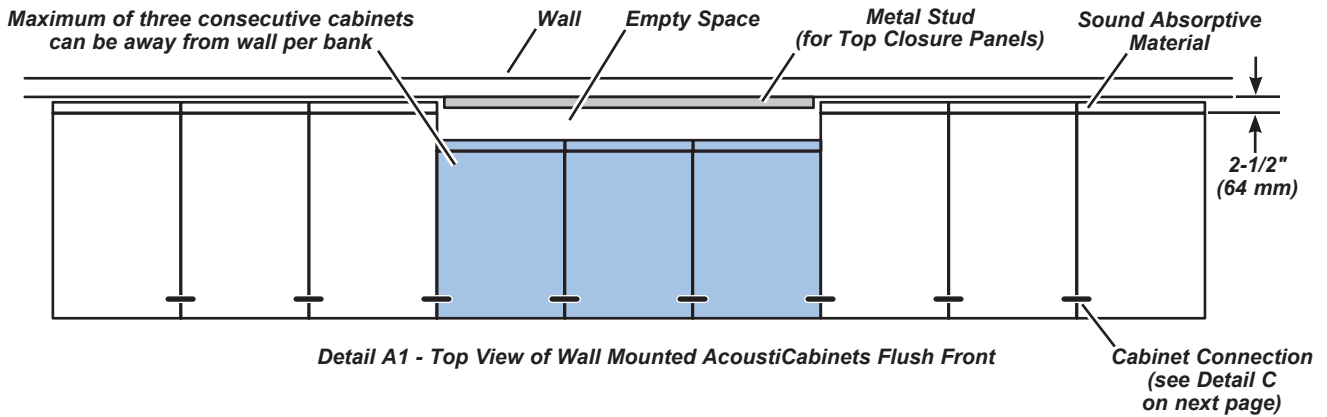
These holes are positioned to align the fronts of the cabinets to be flush.

⚠ IMPORTANT
A maximum of three consecutive cabinets can be away from the wall per bank.

See Detail A2

If different depth cabinets are to be aligned at the back, new 3/8" (10 mm) holes will need to be drilled. Use the holes in the shallowest cabinet as the template for the adjacent cabinet.

- Top closure panels will be added to close off any empty space behind cabinets not flush with the back wall. See the "Closure Panel Installation" procedure.



Secure Cabinets - AcoustiCabinets (continued)

Connect Cabinets Together (continued)

3. Install trim strips. See Detail B1 and B2.

- Using the attached adhesive tape, stick two trim strips ④ to the side panel of one cabinet.
- Attach the longer strip to be 1/8" (3 mm) back from the front edge and flush with the top of the cabinet.
- Attach the shorter strip to be 1/8" (3 mm) back from the front edge of the bottom front stretcher assembly ③ and flush with the floor.

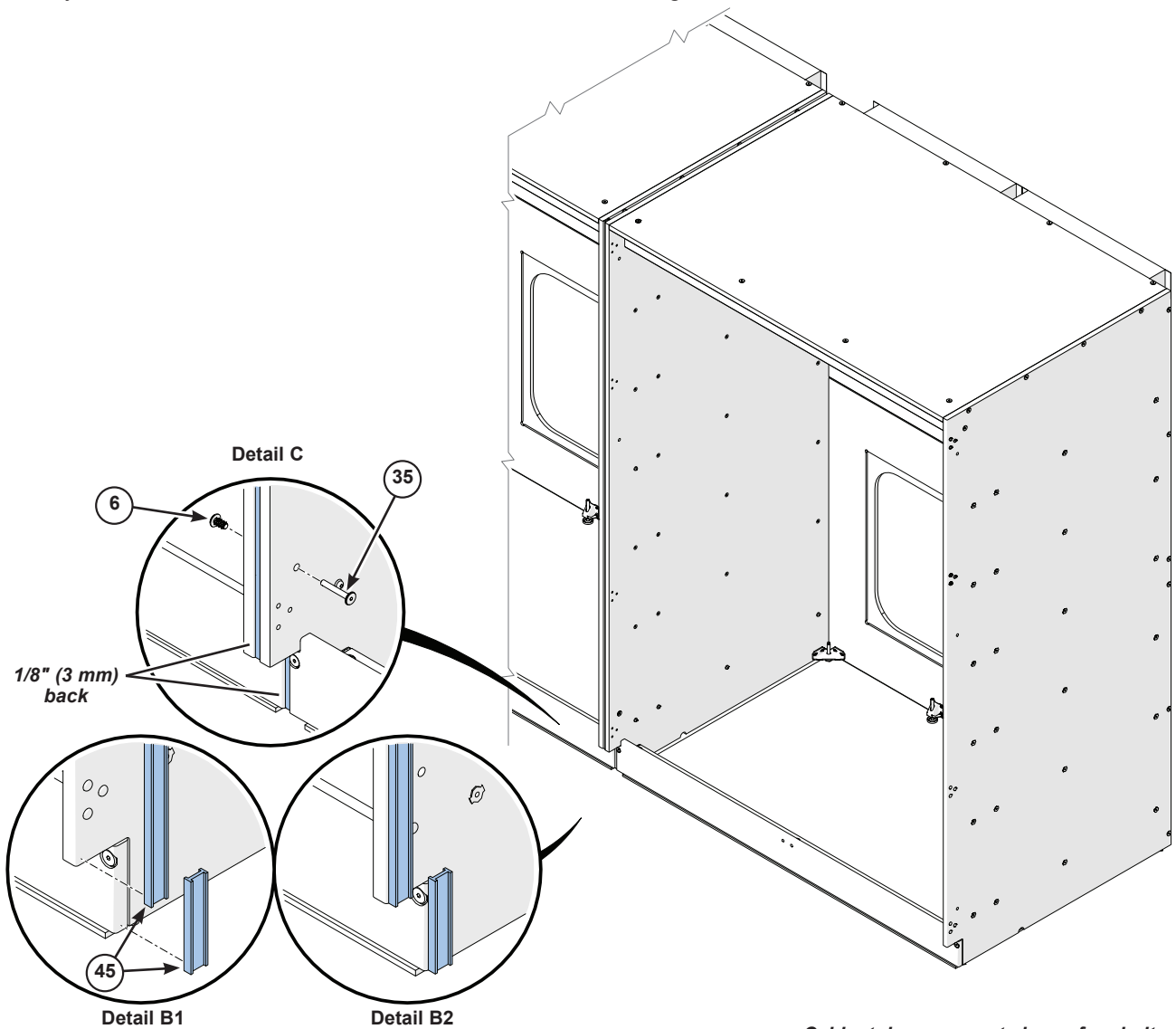
This will hold the strips in position until the cabinets are connected together.

4. Connect adjoining cabinets. See Detail C.

Note: These holes are positioned to align the fronts of the cabinets.

If different depth cabinets will be aligned at the back, new holes will need to be drilled (see previous page).

- See Detail B. Position the adjoining cabinet to align these holes and to fit against the trim strips of the previous cabinet.
- Use a plastic mallet to pound 1/4-20 insert nuts ⑥ from one side of each hole and attach them with oyster 1/4-20 x 1.77" hex socket machine screws ③ through the other side..



Cabinet doors are not shown for clarity.

Secure Cabinets - AcoustiCabinets (continued)

⚠ CAUTION

In addition to the sides of the cabinets being secured, the cabinet backs must also be attached to a back wall.

⚠ CAUTION

Inferior or improperly installed fasteners could cause the cabinets to tip over.



Cabinets must be secured to a back wall and also be at least 2-1/2" (64 mm) away from the wall to allow space for the sound absorptive material.

For cabinets farther than 2-1/2" (64 mm) from the back wall, see "Closure Panel Installation" on page 34.

See below for securing to a back wall, see the next page for securing back-to-back.

Secure Cabinets 2-1/2" (64 mm) from Back Wall

Hardware for this procedure may be packaged separately.

Because materials and construction of walls can vary, fasteners for attaching the cabinets to the structure are not provided. The installer must choose the appropriate fastener and follow the manufacturer's instructions. See "Cabinet Fastener Guidelines" for more information.

Note: Make sure all the cabinets are secured together before attaching them to the back wall.

1. See Detail C.

Attach the wider tabbed surface of the AcoustiCabinet wall brackets ⁴⁸ to the top edge at the back of the cabinet using #8 x 5/8" pan head screws ¹ in the front four holes in each.

a. All open areas at the top of the cabinet should be covered by brackets.

The tabs should fit flush against the back of with the cabinet.

b. The cabinet is wider than the wall bracket so three brackets are required per cabinet.

Attach one bracket to align with each outer edge of the cabinet.

Straddle the third bracket over the other two.

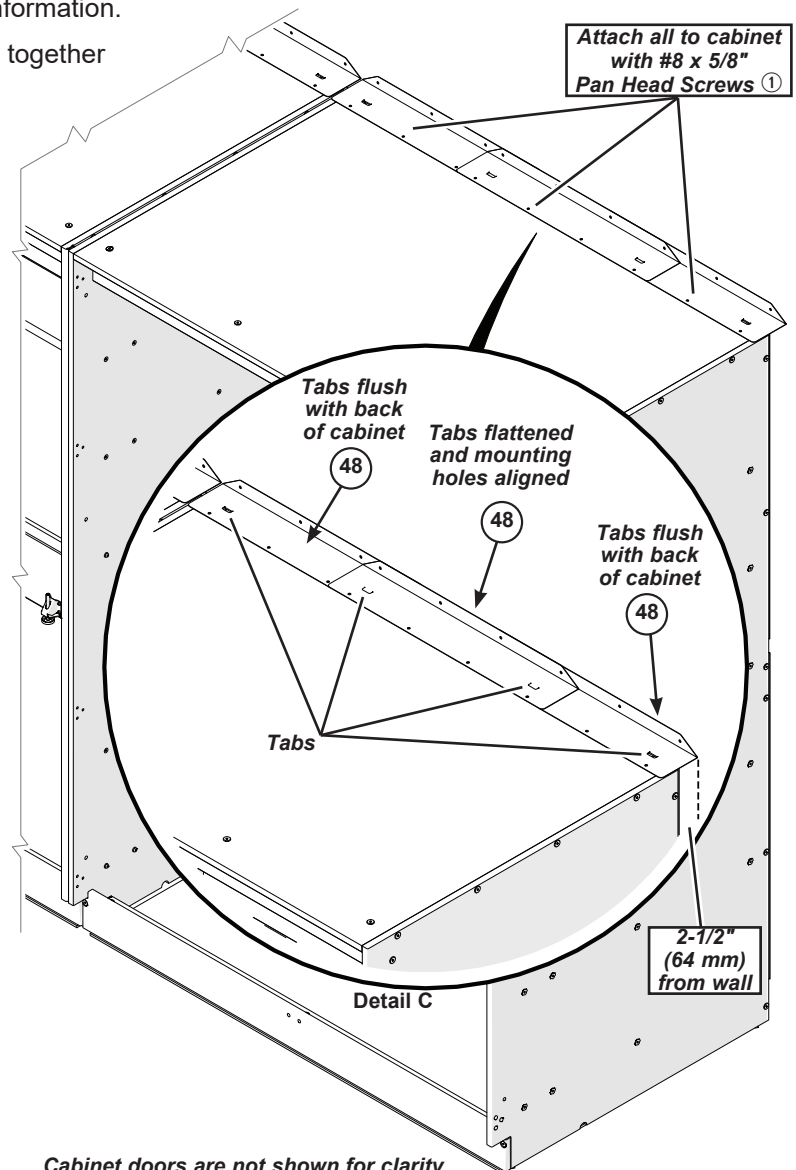
Flatten the tabs so the bracket will fit flush on the adjacent brackets and align it with the screw holes.

Note: To maintain spacing from the wall, a bracket must be attached to every cabinet.

2. Position the cabinets with the mounting brackets against the wall.

3. Attach the wall brackets to the wall surface.

The brackets allow the recommended 2-1/2" (64 mm) spacing between the cabinet and the wall.



Cabinet doors are not shown for clarity.

Secure Cabinets - AcoustiCabinets (continued)

CAUTION

In addition to the sides of the cabinets being secured, the cabinet backs must also be attached to either a back wall, to adjacent cabinets in an island formation or to the floor.

CAUTION

Inferior or improperly installed fasteners could cause the cabinets to tip over.



Cabinets must either be secured to the floor or back-to-back with adjacent cabinets. See below for securing back-to-back, see the previous page for securing to a wall.

Secure Cabinets Back-to-Back

Hardware for this procedure may be packaged separately.

Because materials and construction of walls can vary, fasteners for attaching the cabinets to the structure are not provided. The installer must choose the appropriate fastener and follow the manufacturer's instructions. See "Cabinet Fastener Guidelines" for more information.

Note: Make sure the cabinet sides are secured together before attaching them back-to-back.

Note: If cabinets are installed in a back-to-back formation, adjacent cabinets must be connected across the tops in addition to being secured to the floor.

1. See Detail E.

Connect the tops of adjacent cabinet backs together using AcoustiCabinet seismic island top plates ④. All open areas at the top of the cabinets should be covered by the plates. The cabinet is wider than the plate so three plates are required.

a. For the outer two plates ④:

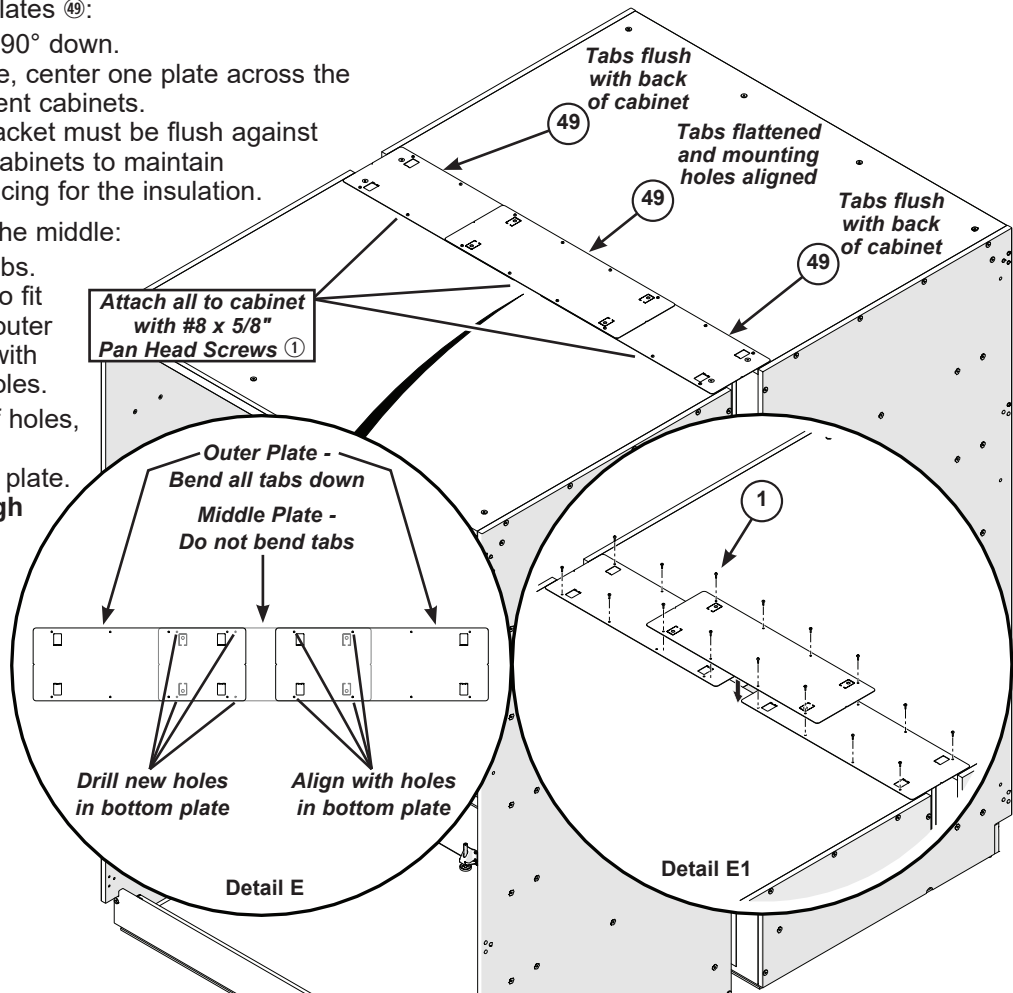
Bend the four tabs 90° down. On each outer edge, center one plate across the backs of two adjacent cabinets. The tabs on the bracket must be flush against the backs of both cabinets to maintain 5" (127 mm) of spacing for the insulation.

b. For the plate ④ in the middle:

Do not bend any tabs. Straddle the plate to fit flush over the two outer plates and align it with one set of screw holes. For the other set of holes, drill four new holes through the bottom plate. Do not drill through the top of the cabinet.

c. See Detail E1.

Attach the plates to the cabinets using sixteen #8-15 x 5/8" pan head screws ① (eight per cabinet).



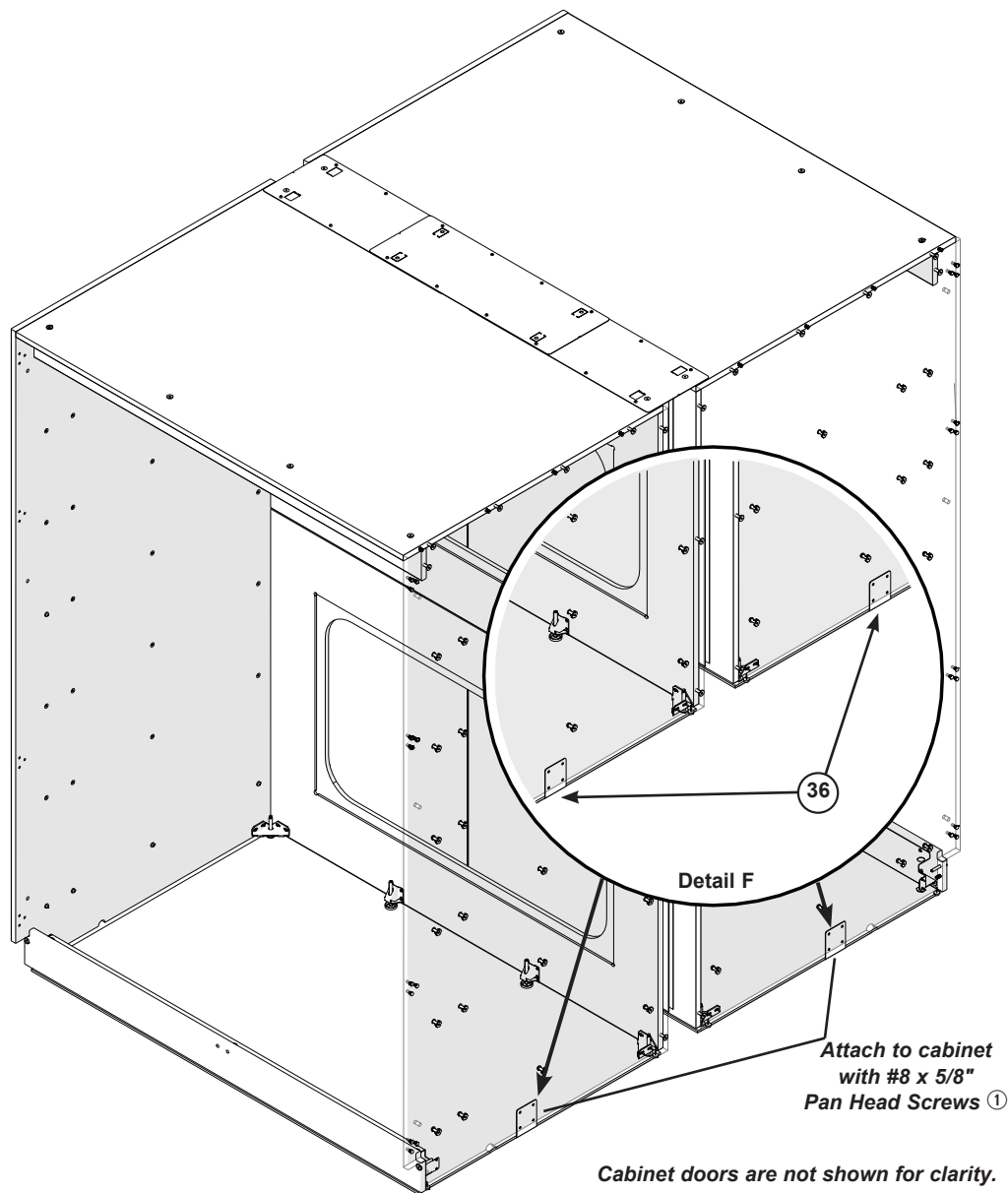
Secure Cabinets - AcoustiCabinets (continued)

Secure Cabinets Back-to-Back (continued)

2. See Detail F.

Since the cabinets are not secured to a wall, they must be secured to the floor.

- a. At the ends of the formation, attach one cabinet cleat ③⑥ to the inside of each cabinet using #8 x 5/8" pan head screws ①
- b. Secure the bracket to the floor (underneath the floor carpet ④③) using the appropriate fasteners.



Finished Back Kit Installation



Finished back panels are to be installed after all side cover panels are installed. After the following "Side Cover Panel Installation" procedure is complete, refer to Finished Back Kit for Cabinet Storage Products Assembly Instructions 250B093.

Side Cover Panel Installation

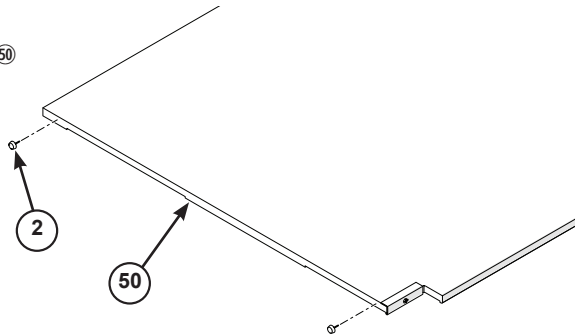


Use this procedure to add a smooth finished panel to an exposed cabinet side. Not required if the cabinet is in the middle of a bank. Side cover panels are made in left and right hand configurations. AcustiCabinet side cover panels are 2-1/2" (64 mm) deeper than the cabinet.

End Cover Panels

Hardware for this procedure may be packaged separately.

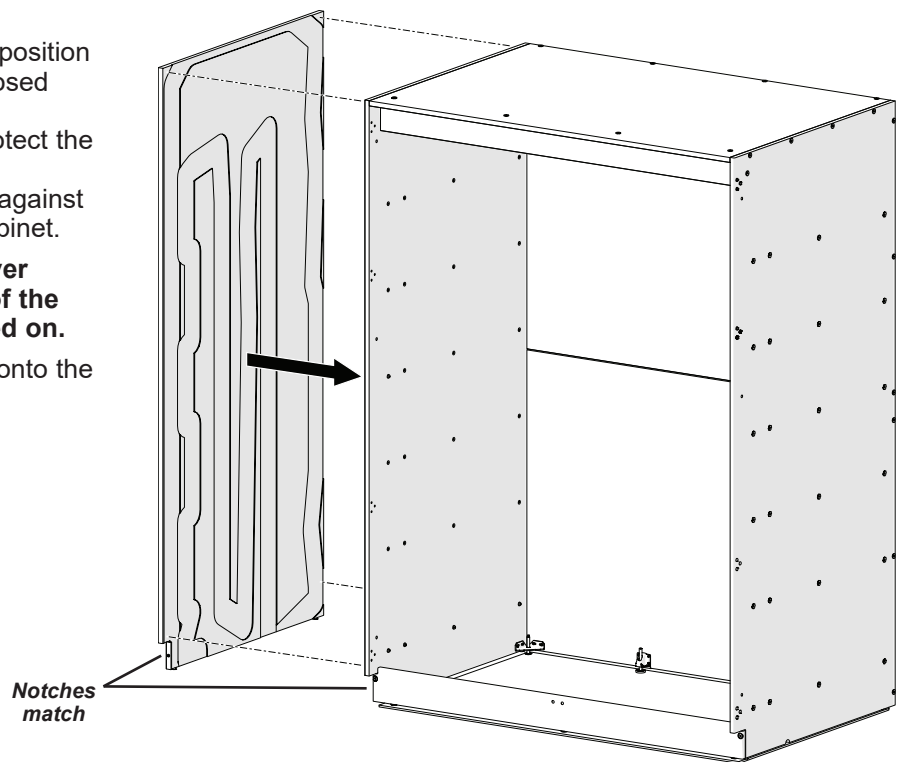
1. With the package laid flat, carefully remove the cover panel ⑤ from the packaging and insert the two plastic glide tacks ② into the bottom of the cover panel, centered and 2-3" (51-76 mm) from each end.



2. Lift the cover panel to a vertical position and fit it into place over the exposed hardware. Use the plastic glide tacks to protect the bottom of the cover panel. The cover panel should fit flush against the front and top sides of the cabinet.

Verify that the correct end cover (LH or RH) matches the side of the cabinet that it is being installed on.

3. Lay the cover panel back down onto the packaging.



Cabinet doors are not shown for clarity.

Side Cover Panel Installation (continued)

End Cover Panels (continued)

- Using the 3/16" drill bit, drill twelve holes into the side panel of the cabinet to be covered.

Note: Do not drill into any of the tee-nuts or any other cabinet components. Measure before drilling so that the hole is 1-2" (25-51 mm) from the nearest component to allow clearance for tools.

Top Row

Drill a hole 2-3" (51-76 mm) down from the top and 2-3" (51-76 mm) back from the front of the cabinet.
Drill the second hole 2-3" (51-76 mm) down from the top and 24-26" (610-660 mm) from the front of the cabinet.
Drill a third hole 2-3" down from the top and evenly spaced horizontally between the first two holes.

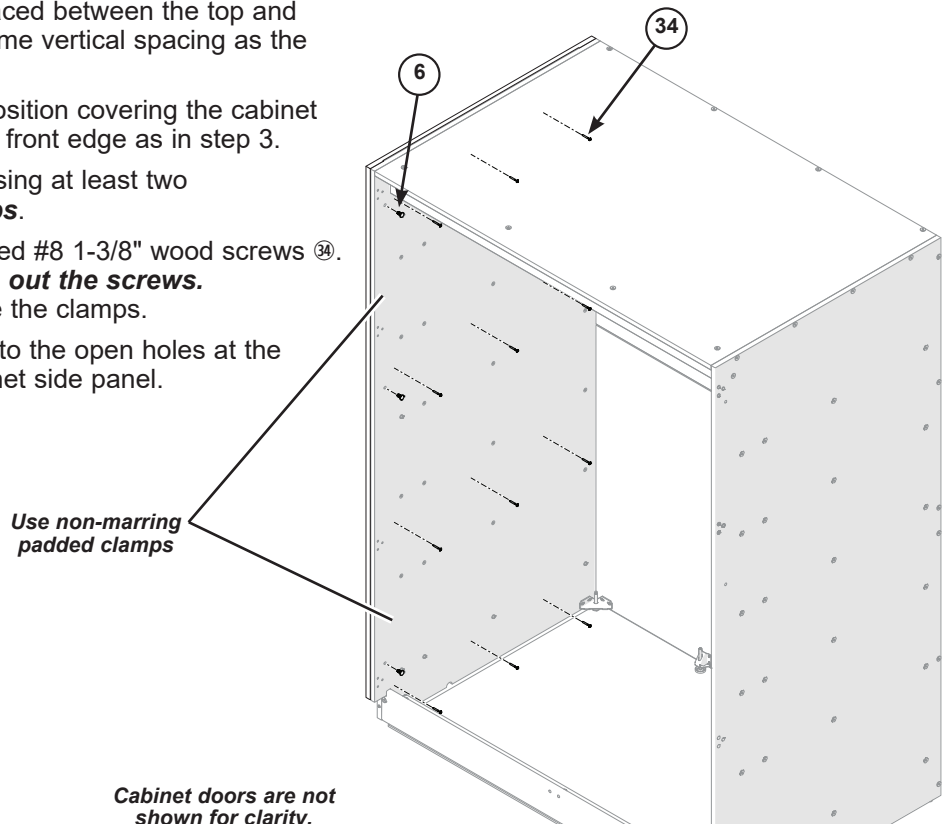
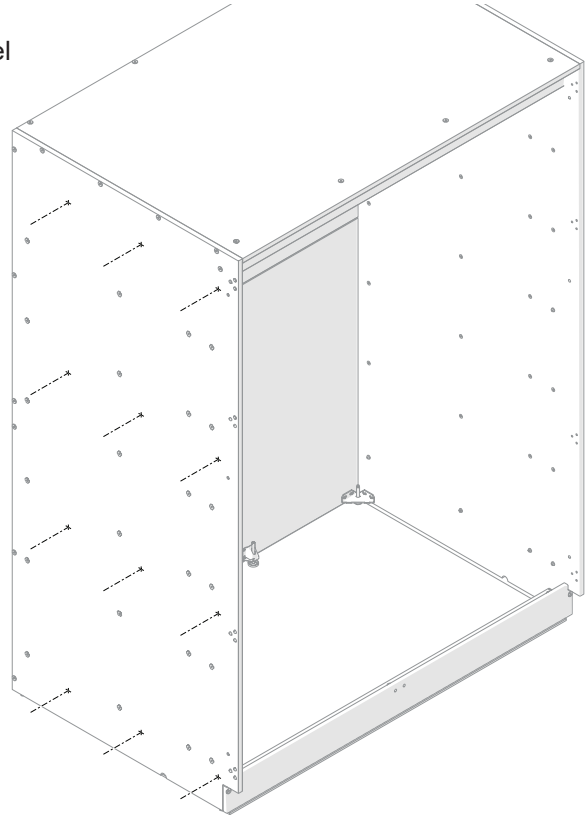
Bottom Row

Drill a hole 7-8" (178-203 mm) up from the bottom and 2-3" (51-76 mm) back from the front of the cabinet.
Drill the second hole 2-3" (51-76 mm) down from the top and 24-26" (610-660 mm) from the front of the cabinet.
Drill a third hole 7-8" (178-203 mm) up from the bottom and evenly spaced horizontally between the first two holes.

Middle Rows

Drill two rows evenly spaced between the top and bottom rows. Use the same vertical spacing as the top and bottom rows.

- Raise the cover panel into position covering the cabinet side panel and flush with the front edge as in step 3.
- Clamp securely in position using at least two **non-marring padded clamps**.
- Insert all twelve of the supplied #8 1-3/8" wood screws ⑳. **Do not over-torque or strip out the screws.** Tighten securely and remove the clamps.
- Insert 1/4-20 insert nuts ㉑ into the open holes at the inside front edge of the cabinet side panel.



Cabinet doors are not shown for clarity.

Side Cover Panel Installation (continued)

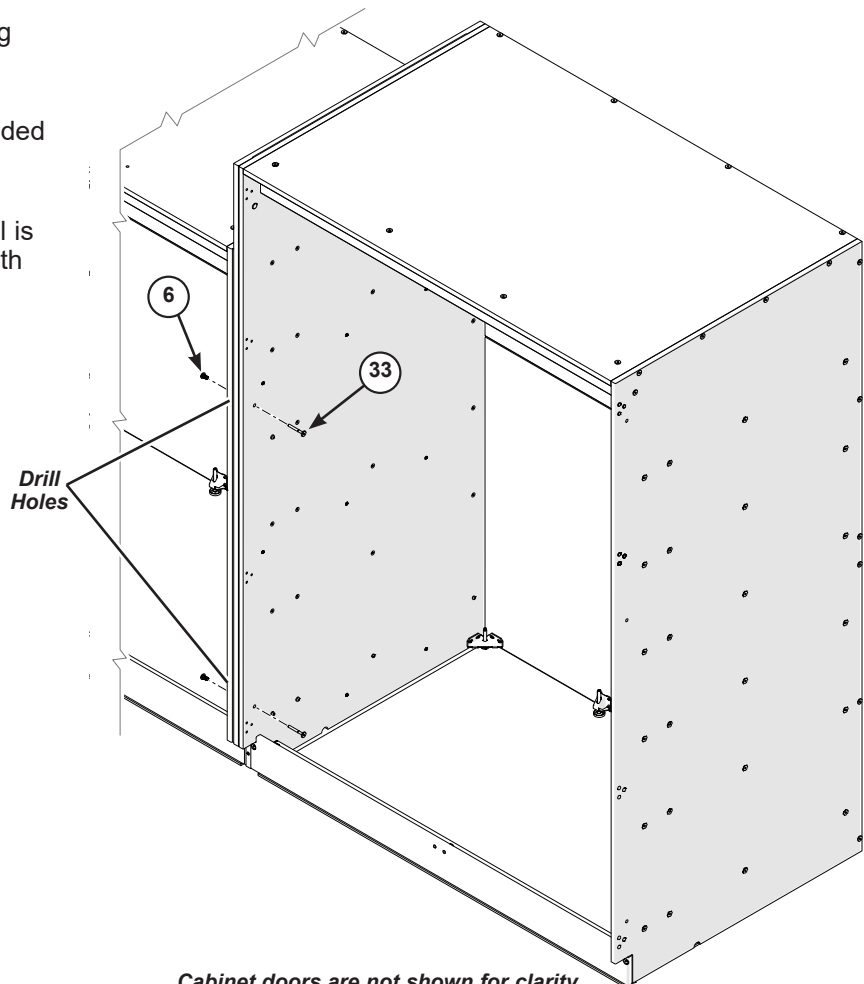
Center Cover Panels

Hardware for this procedure may be packaged separately.



Use the following steps ONLY when a smaller cabinet is adjacent to a larger cabinet with a cover panel in place on the larger cabinet.

1. Install the cover panel using the procedures in "End Cover Panels".
2. Align both cabinets to the desired configuration.
If the cabinets are different depths, they may be aligned to be flush with the front as shown or flush with the back.
- Note:** Do not drill into a shelf or cross member or any hardware.
Measure before drilling so that the hole is 1-2" (25-51 mm) from the nearest horizontal surface to allow clearance for tools.
It may be necessary to move a hole and drill completely through the smaller cabinet side panel, cover panel and larger cabinet side panel simultaneously.
3. Drill two connecting holes through the cover panel and attached cabinet side panel (drill three holes if the cabinets are both over 68" [1227 mm] tall) using the 3/8" drill bit through the holes already in the smaller cabinet.
4. If there is not enough room in the compartment for a drill, it may be necessary to mark the holes using a pencil through the connecting holes in the smaller cabinet side panel, move the smaller cabinet, drill the holes through the cover panel and larger cabinet side panel, re-position the smaller cabinet and connect them all together.
4. Connect the cabinets together using 1/4-20 x 2.359" machine screws ③.
5. Plug the hole at the other end with 1/4-20 insert nuts ⑥ that were included with the cabinet.
6. Use of trim strips ④ between the smaller cabinet and the cover panel is required (trim strips are included with cabinet).



Cabinet doors are not shown for clarity.

Closure Panel Installation



Use this procedure to close off open spaces between cabinets.

Closure panels close off open spaces between cabinets and can be installed after all other components. Refer to the Cabinet Storage Products Assembly Instructions 250B394 for instructions.

Storage Cabinet Maintenance

Cleaning

For removal of mild stains and mild scuff marks, the polyester wood panels and polyester shelves may be cleaned using an all-purpose household cleaner (409, Fantastic, or similar), or just simple mild soap and water.

For heavier scuff marks, ink stains, felt pen and magic marker stains, or other tough stains; use a non-abrasive cleaner (Soft Scrub or similar), or an industrial all-purpose cleaner (Acetone or similar). Ammoniated or vinegar-based glass cleaners also work well for these stains.

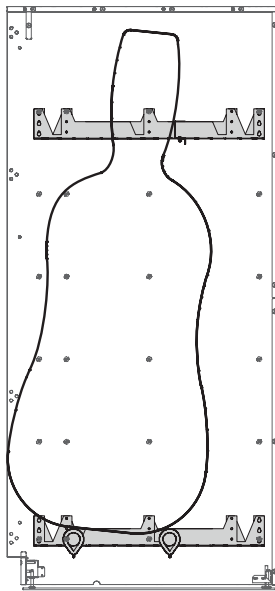
Do not use harsh abrasive cleaners, as permanent damage could occur to the panel surface. Be sure to quickly remove all cleanser residues with water and wipe dry with a soft cloth.

Humidity Control

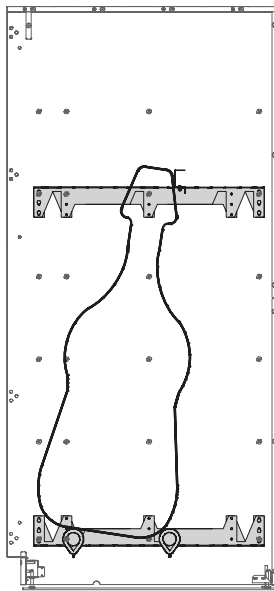
To insure longevity of panel performance, maintain the relative humidity between 25% - 55% at the permanent installation site.

Instrument Support Group Installation

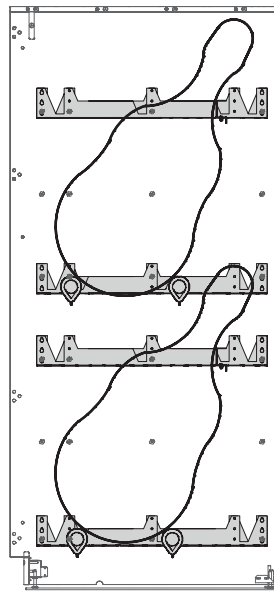
Instrument Support Group Arrangements



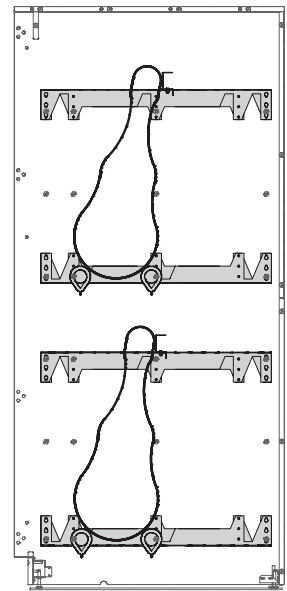
Bass



Cello / Guitarron

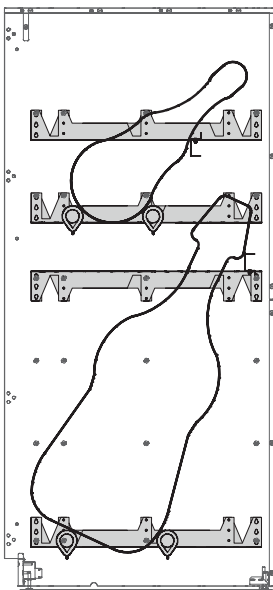


Guitar

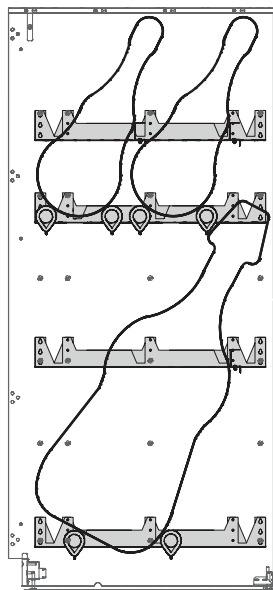


Violin / Viola / Vihuela

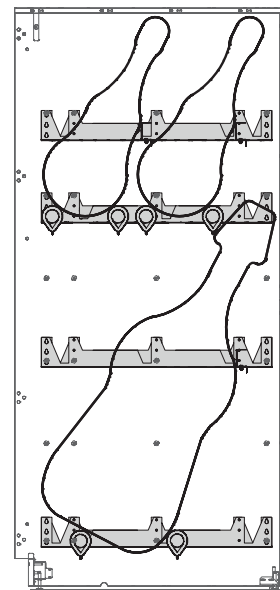
Combination High-Pack Options



**Combination - Cello / Guitarron
and Violin / Viola / Vihuela**



**Cello / Guitarron and
Violin / Viola / Vihuela**



Violin / Viola / Vihuela

Instrument Support Group Installation (continued)

Installation

The basic support group consists of:

- four side brackets 54
- two padded instrument support tubes 56
- one upper support bar 57
- hardware for attaching

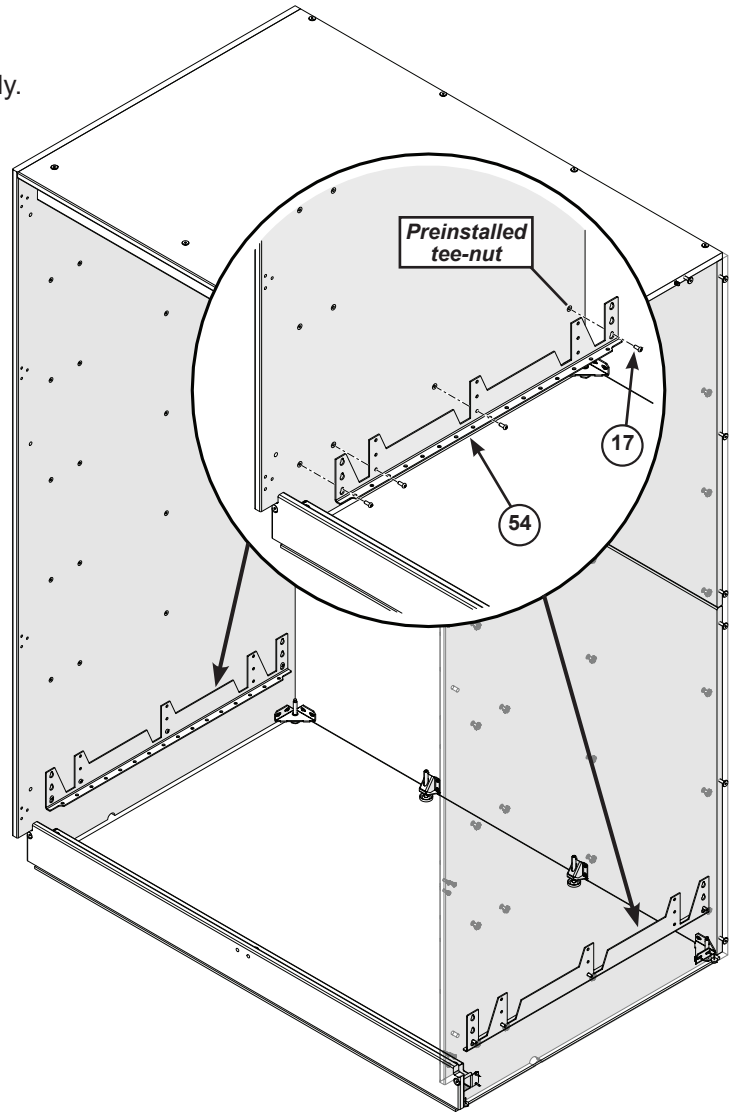
Additional support groups can be ordered separately.

Use the images on the previous page to help select the proper arrangement.

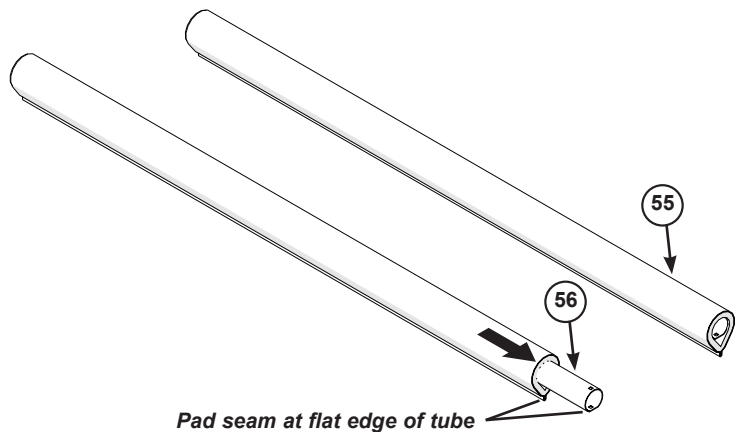
1. Attach a pair of side brackets 54 onto the lower end of the cabinet side panels at the same level on both sides and with the same orientation (flange up or down) to receive the instrument support tubes.

Attach each bracket into the preinstalled tee-nuts in the side panels using four 1/4-20 x 5/8" machine screws 17.

Note: Brackets have keyholes at each end to help simplify and test the fitting for optimum positioning. Brackets can also be used upside down to change the elevation further.



2. Install a support tube pad 55 onto both instrument support tubes 56 with the seam of the pad at the flat edge of the tube.

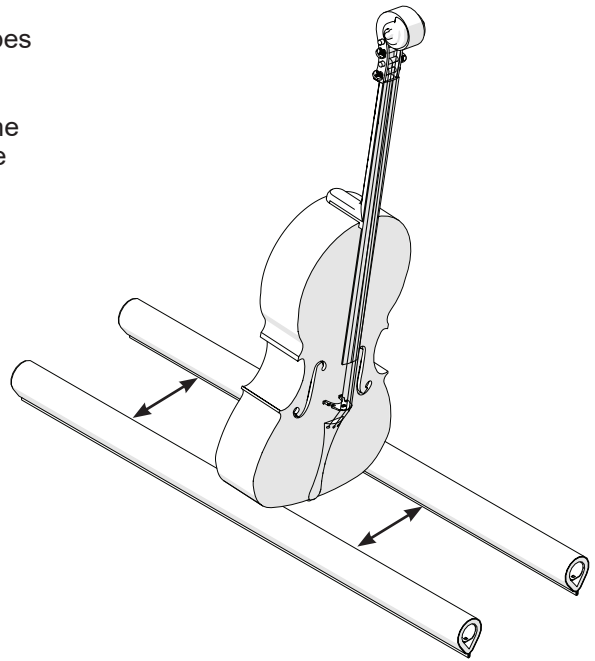


Instrument Support Group Installation (continued)

Installation (continued)

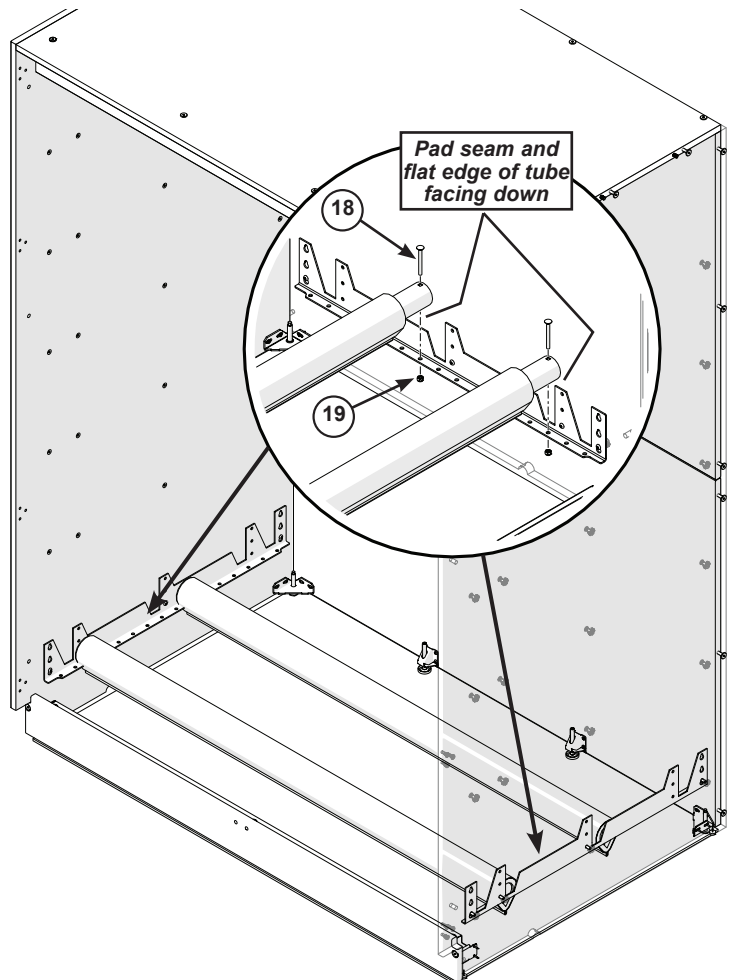
3. To get an approximation for spacing, place the support tubes side by side on the floor. Using a common instrument case or instrument, move the support tubes apart or together until they fit and support the bottom of the instrument case or instrument reclined at the desired angle.

Note: This is the dimension to the nearest hole location on the side bracket. It should be used to locate the instrument support tubes with respect to each other onto the side brackets.



4. Place the support tubes with the flat side and pad seam down, in the desired location(s), confirm they are evenly spaced and parallel to the back of the cabinet.

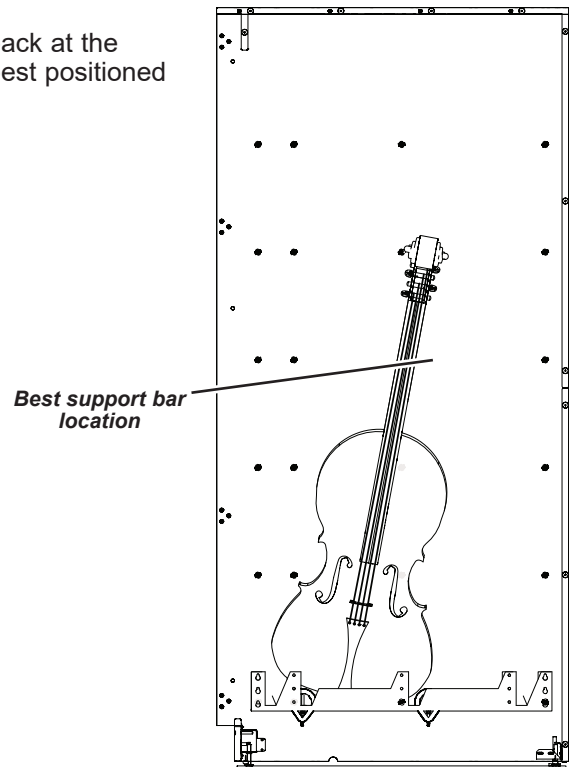
Attach both ends of each support tube (flat tube edge facing down) to the side brackets using one 1/4-20 x 2-1/2" carriage bolt [®] and 1/4-20 nylon lock nut [®] in each.



Instrument Support Group Installation (continued)

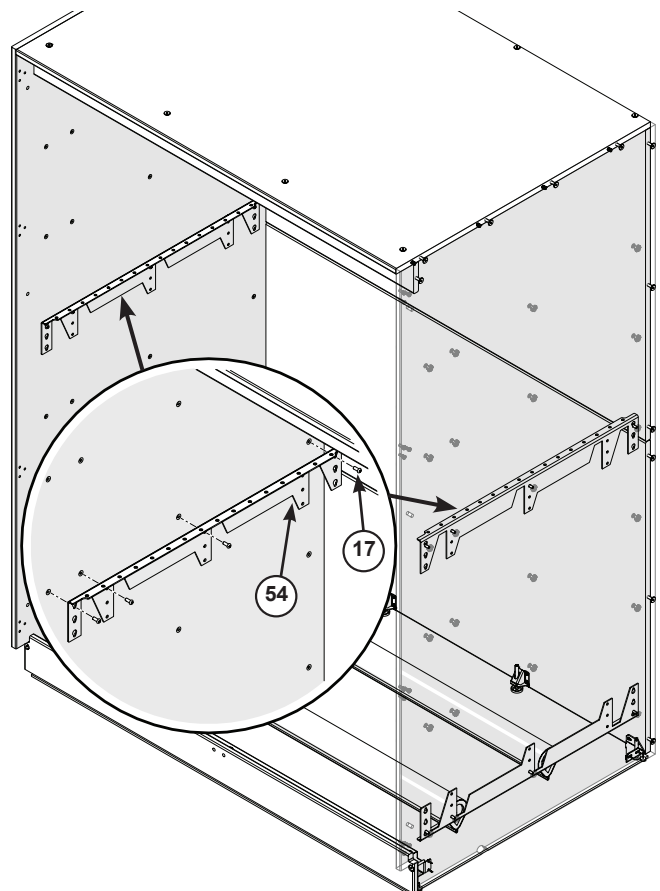
Installation (continued)

5. Place a common instrument case or instrument and lean it back at the desired angle. Note where the upper support bar would be best positioned to contact the neck of the instrument and hold it securely.



6. At this height, attach a pair of side brackets ⑤④ onto the cabinet side panels at the same level and with the same orientation (flange up or down) to receive the instrument support bar.

Attach each bracket into the preinstalled tee-nuts in the side panels using four 1/4-20 x 5/8" machine screws ⑰.



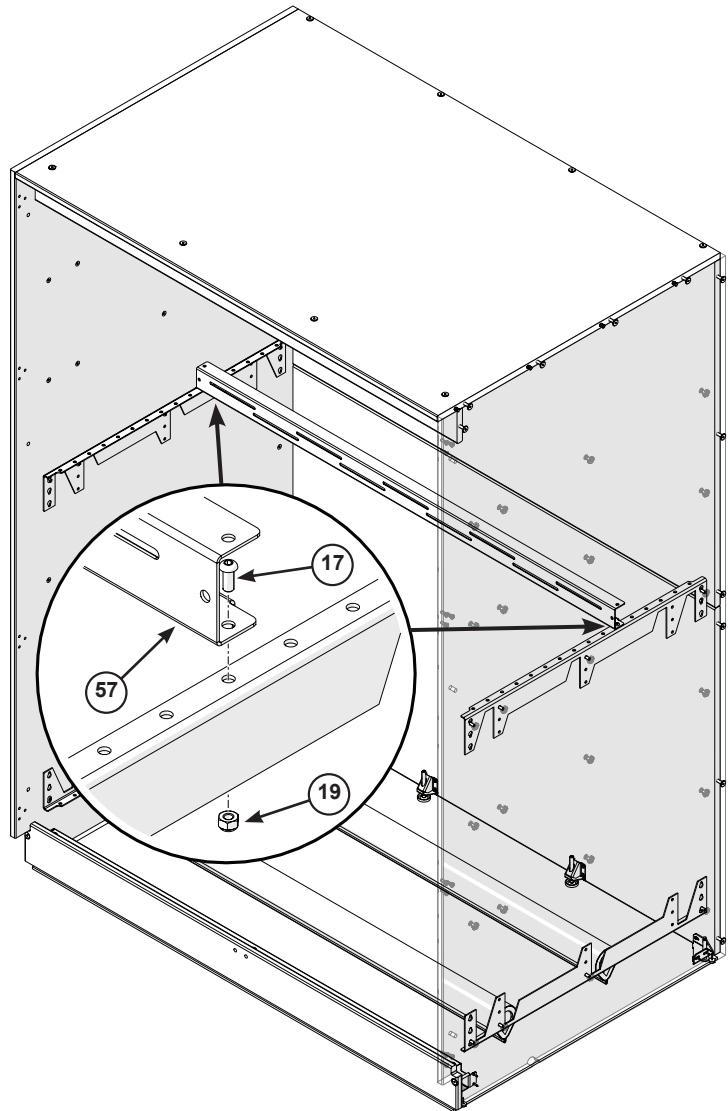
Instrument Support Group Installation (continued)

Installation (continued)

7. Attach both ends of the upper support bar ⑤⑦ to the upper side brackets using one 1/4-20 x 5/8" machine screw ⑰ and 1/4-20 nylon lock nut ⑱ in each.

Note: The upper support rail can be mounted above or below the flange for increased versatility. Instrument cases or instruments should not be stored so upright that they would tip off the support rails.

A reclining angle of 30 to 45 degrees is recommended. Instrument cases or instruments should be placed on the support tubes and rails to be parallel with the side panels of the cabinet so the instrument case or instrument does not fall to one side or the other.

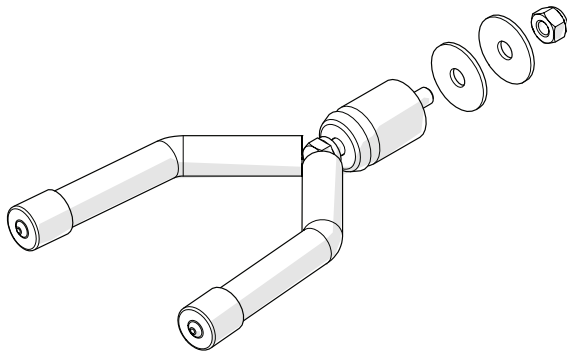


8. For instruments stored in the cabinet without cases, additional neck yolks and locking cable accessories are available (see the following pages).
These attach into the front facing slots of the support bar and can be repositioned side to side in the slots for more storage flexibility.

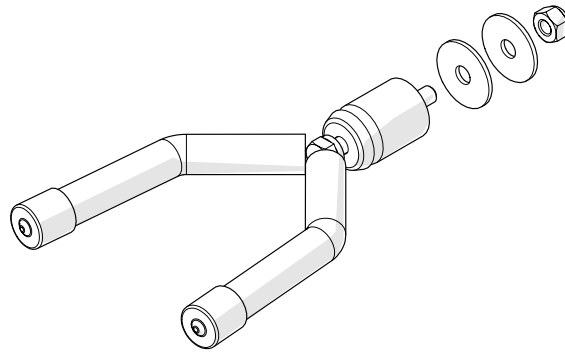
Instrument Neck Yolk Accessories

The following neck yolk support kit options are available:
Additional support kits can be ordered separately.

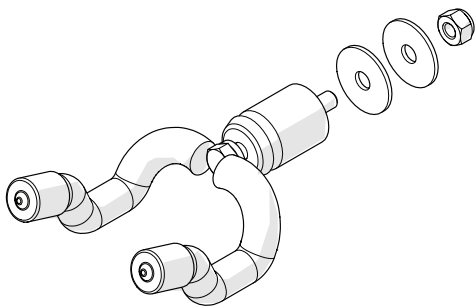
See the following pages for installation instructions.



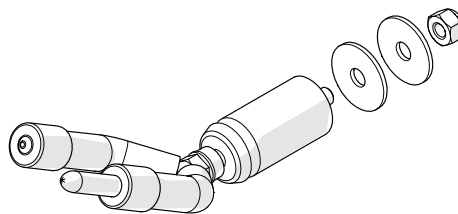
Bass Neck Support Kit



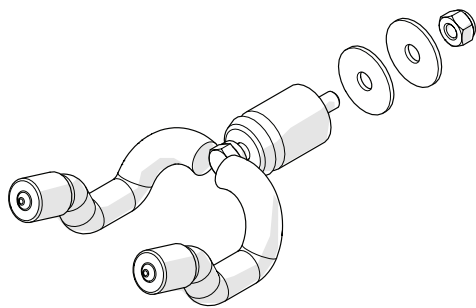
Cello Neck Support Kit



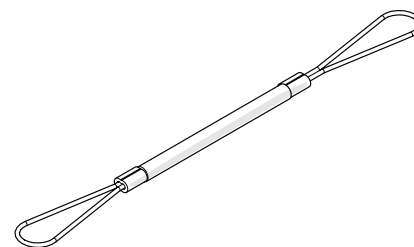
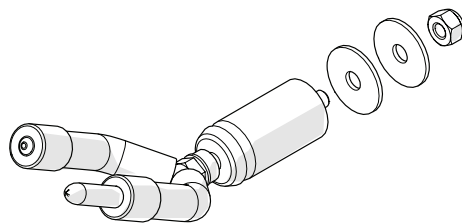
Guitar Neck Support Kit



Violin / Viola Neck Support Kit



Mariachi Neck Support Kit



Cable Lock Kit
(can be used with any of the neck support kits)

Instrument Neck Yolk Accessories (continued)

NOTICE

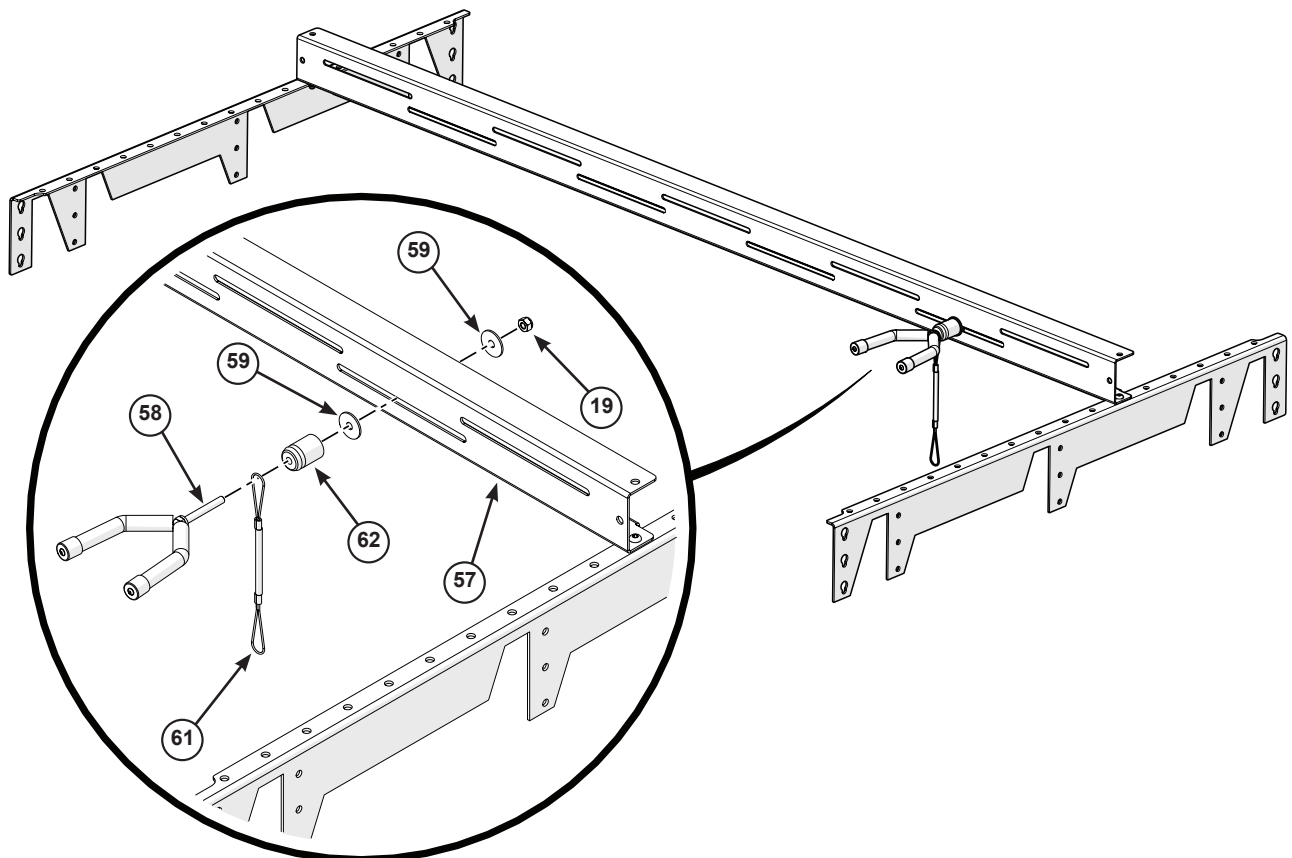
The neck yoke support kits and the cable lock are two different accessories but must be installed together. If not installing the cable lock, disregard the references to in these instructions. The cable lock accessory is compatible with all neck yoke support kits.

STOP The cello neck support kit is shown in the following installation procedure. The procedure is the same for all neck support kits.

Assembly

If not installing a cable lock, skip steps 1*, 2*- and 3*.

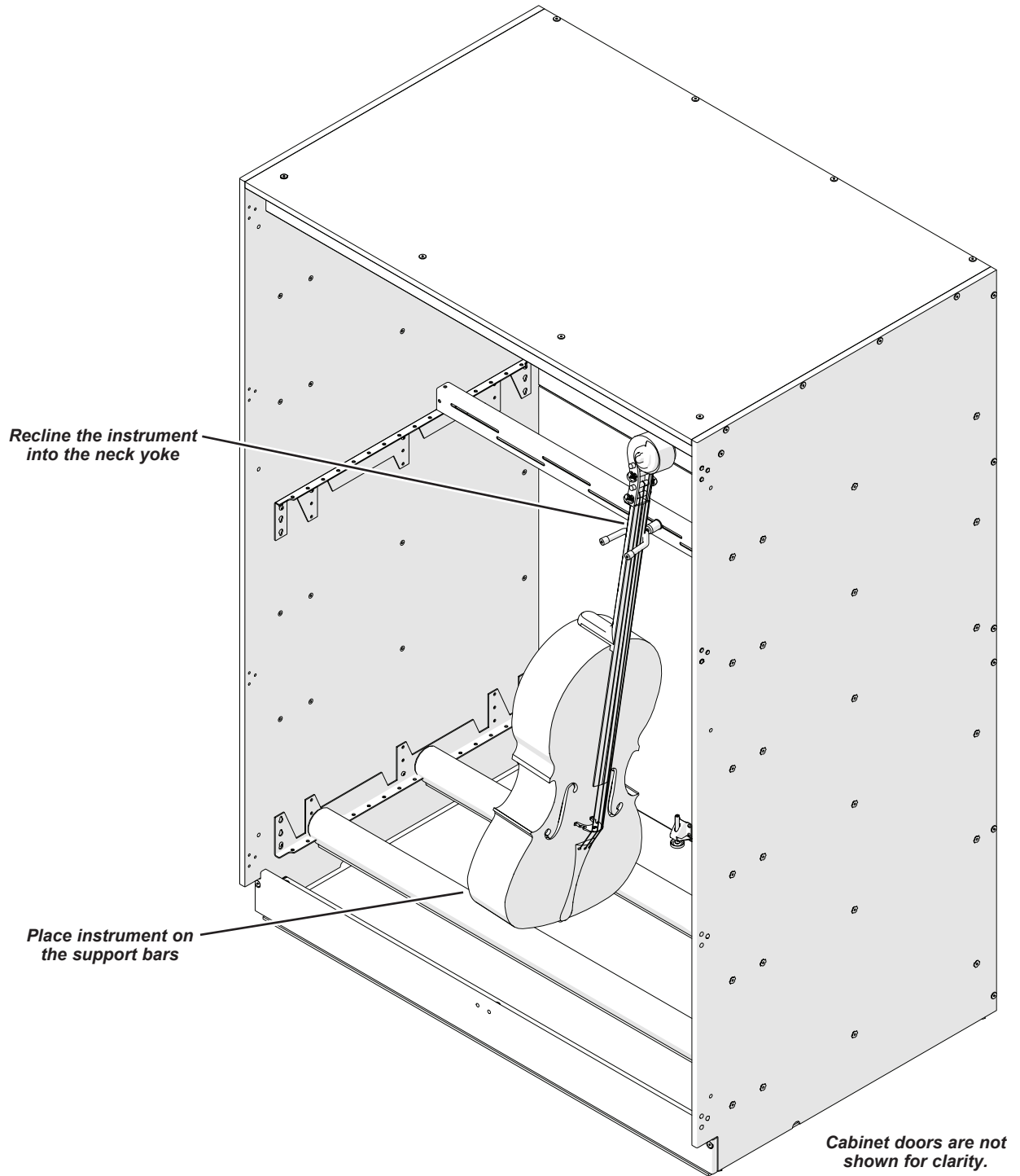
- 1*. Select the cable lock ⑥ length based on the size of the instrument neck. There are three different lengths in the kit.
- 2*. Remove the plastic spacer ② from the threaded end of the neck yoke ⑤ and fit one end loop of the cable lock onto the neck yolk.
- 3*. Fit the plastic spacer back onto the threaded end of the neck yolk in the same location and orientation.
4. Select spacing for the neck yokes that will help keep the instruments separated enough to prevent interference with each other.
5. Place one washer ⑤ onto the threaded end of the neck yoke.
6. Insert the threaded end of the neck yolk into the appropriate slot on the upper support bar ⑦. Choose either the upper or lower slot.
7. Place another washer ⑤ onto the threaded end of the neck yoke on the back side of the upper support bar and secure in place with a 1/4-20 nylon lock nut ⑩.



Instrument Neck Yolk Accessories (continued)

Securing Instruments

1. Carefully place the instrument on the lower padded support bars and recline it into the neck yoke.
2. Continue to hold the instrument and check that it is stable in this position.
3. Continue to the following page if using a cable lock.



Instrument Neck Yolk Accessories (continued)

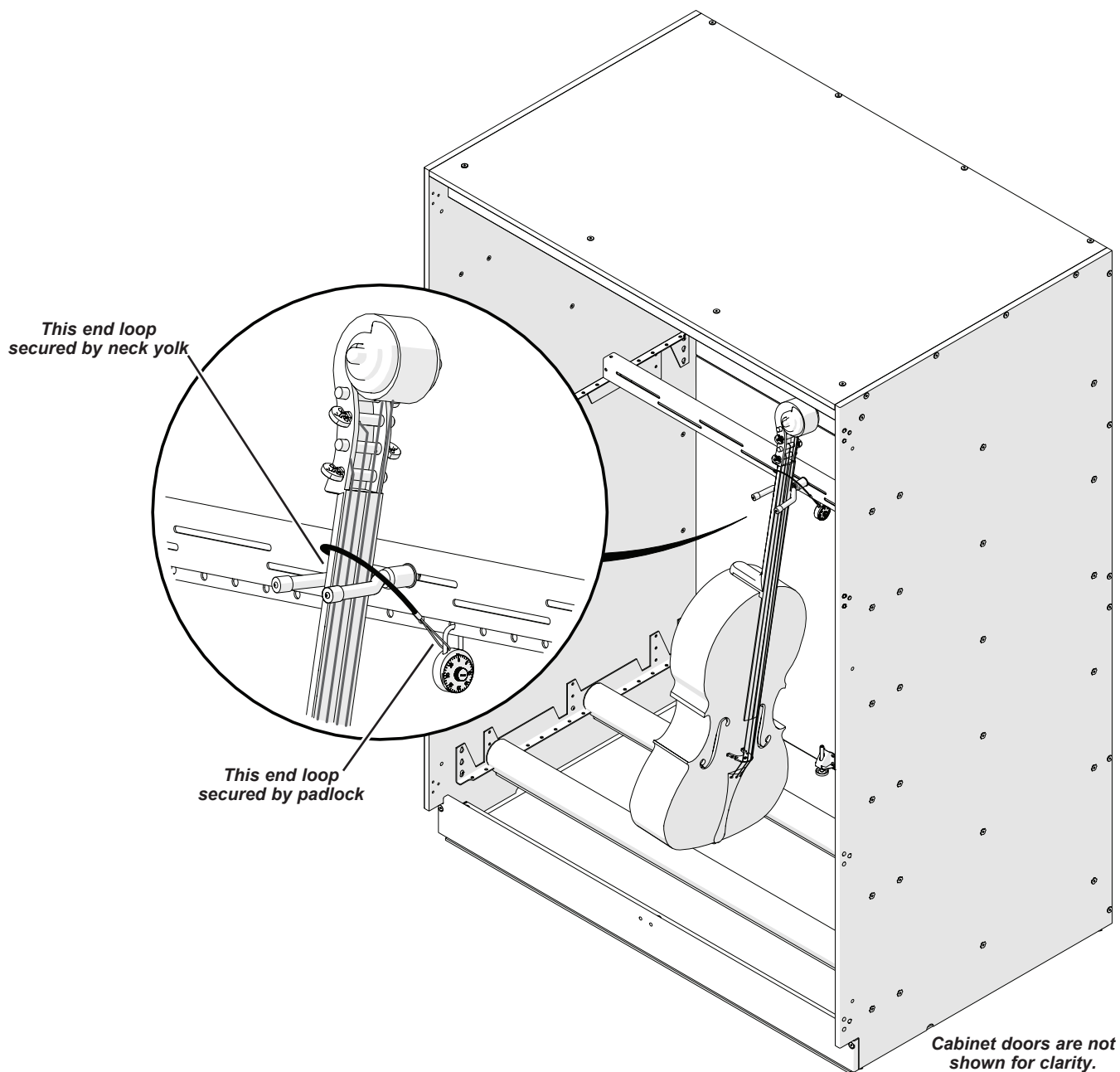
Securing Instruments with a Cable Lock

1. Bring the unsecured end loop of the cable lock around the instrument neck.
2. Secure this end loop to the appropriate round hole in the upper support bar using a padlock (not supplied).

Note: The length of the cable lock can be adjusted by disassembling the neck yolk (see previous page) and attaching a different length cable.

It is generally recommended to use the shortest possible cable lock and selecting a padlock position close to the neck yoke. If the cable lock is too long or the padlock position is too far away, it may be possible to remove the instrument.

Some experimentation may be required to find the best locking cable length and padlock position for the best security.



This page is intentionally blank.