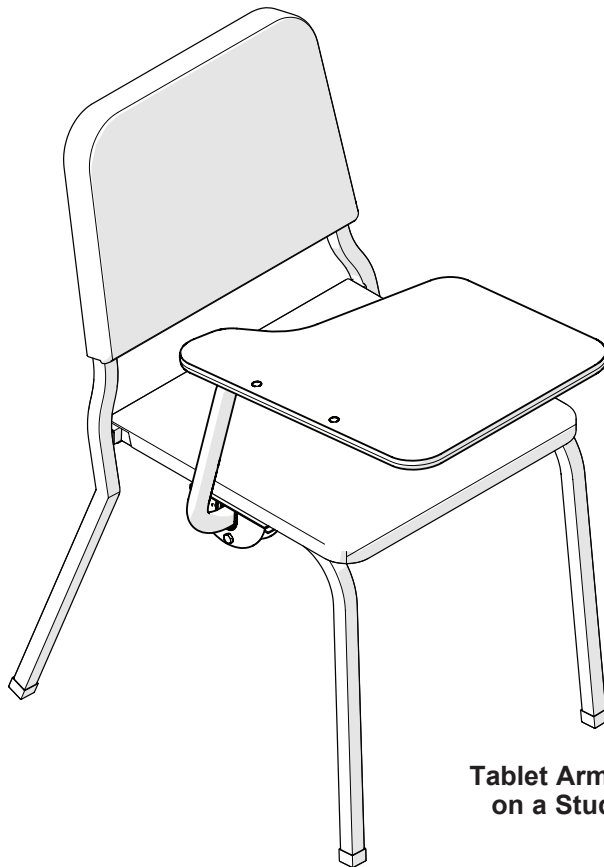




# Assembly Instructions Tablet Arm Accessory for Wenger Student and Musician Chairs



Tablet Arm Accessory  
on a Student Chair

## Contents

Important User Information . . . . .	2	Assembly . . . . .	4
Safety Precautions . . . . .	2	Determine Right Hand or Left Hand Set Up . . . . .	4
Required Tools . . . . .	3	Tablet Arm Assembly . . . . .	5
Supplied Hardware . . . . .	3	Attach to Chair . . . . .	6
Parts List . . . . .	3	Operation . . . . .	8
		Maintenance . . . . .	8



Visit the Student / Musician Chairs web page at [wengercorp.com](http://wengercorp.com) for more information.

**Note:** Please read and understand these instructions before proceeding.  
**Note:** If you need additional information, contact Wenger Corporation using the information below.

# Important User Information

---

## General

Copyright © 2024 by Wenger Corporation

All rights reserved. No part of the contents of this manual may be reproduced, copied, or transmitted in any form or by any means including graphic, electronic, or mechanical methods or photocopying, recording, or information storage and retrieval systems without the written permission of the publisher, unless it is for the purchaser's personal use.

Printed and bound in the United States of America.

The information in this manual is subject to change without notice and does not represent a commitment on the part of Wenger Corporation. Wenger Corporation does not assume any responsibility for any errors that may appear in these instructions.

In no event will Wenger Corporation be liable for technical or editorial omissions made herein, nor for direct, indirect, special, incidental, or consequential damages resulting from the use or defect of these instructions. The manufacturer reserves the right to change this product at any time.

The information in this document is not intended to cover all possible conditions and situations that might occur. The end user must exercise caution and common sense when assembling or installing Wenger Corporation products. If any questions or problems arise, call the Wenger Corporation at (800) 4WENGER (493-6437) or +1-507-455-4100 worldwide.

## Manufacturer

The Tablet Arm Accessory is manufactured by:

Wenger Corporation  
555 Park Drive  
Owatonna, MN 55060  
(800) 4WENGER (493-6437) • +1 (507) 455-4100  
wengercorp.com

## Intended Use

- This product is designed to provide a desktop work surface for Wenger Student and Musician chairs.
- This product is intended for indoor use in normal ambient temperature and humidity conditions – it must not be exposed to outside weather conditions.
- This product is intended to be assembled and used only as described in these instructions.

## Warranty

Warranty information is available at [wengercorp.com](http://wengercorp.com).

# Safety Precautions

---

Throughout this document you may find cautions and warnings which are defined as follows:

- **WARNING:** Failure to follow the instruction could result in serious injury or damage to property.
- **CAUTION:** Failure to follow the instruction could result in minor injury or damage to property.

Read all of these safety instructions before using the equipment.

### **⚠ CAUTION**

***Make sure anyone assembling, installing or using this product has read and understands these instructions.***

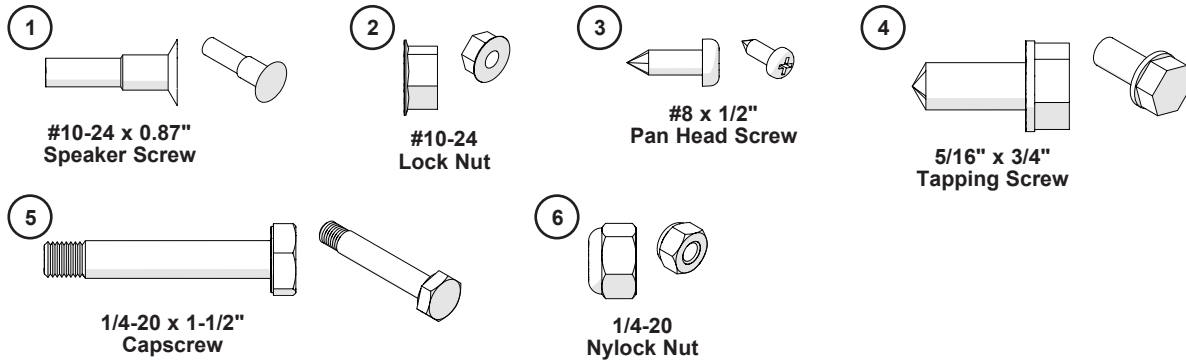
### **⚠ CAUTION**

***Failure to comply with Warnings and Cautions in this document or on the equipment can result in damage to property or injury.***

## Required Tools

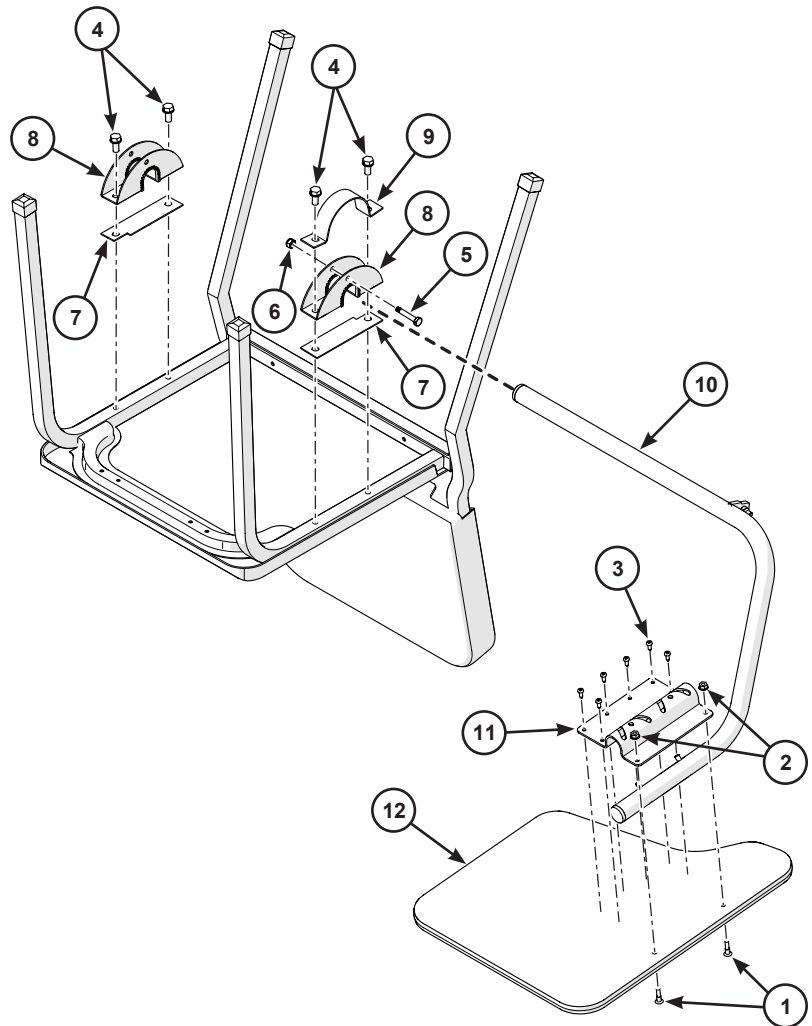
- 3/8" Wrench
- 7/16" Wrench
- 1/2" Socket
- 7/16" Socket
- Socket wrench
- Phillips head screwdriver
- Pliers (to remove chair bumpers)

## Supplied Hardware



## Parts List

Item	Qty	Description
1	2	#10-24 x 0.87" Speaker Screw
2	2	#10-24 Lock Nut
3	6	#8 x 1/2" Pan Head Screw
4	4	5/16" x 3/4" Tapping Screw
5	1	1/4-20 x 1-1/2" Capscrew
6	1	1/4-20 Nylock Nut
7	2	Bracket Spacer
8	1	Pivot Bracket
9	1	Pivot Bracket Cover
10	1	Support Tube
11	1	Desk Bracket
12	1	Desk Surface



# Assembly

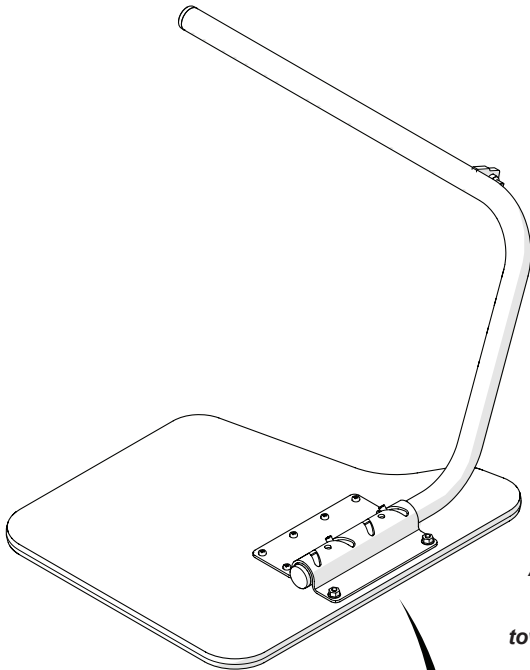
## Determine Right Hand or Left Hand Set Up



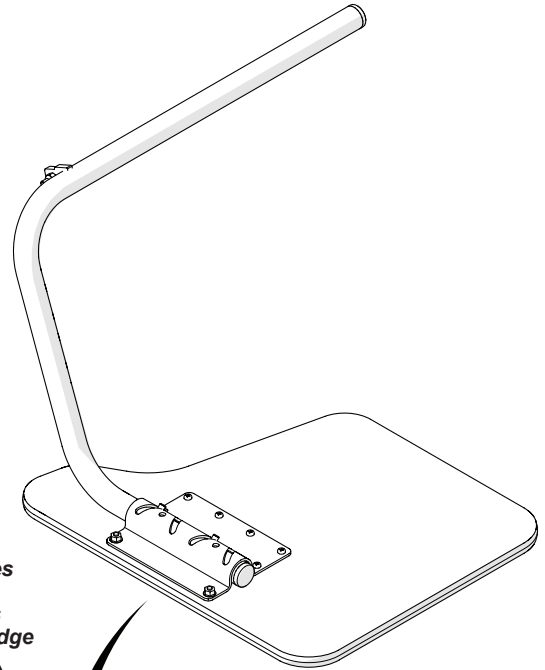
This tablet arm accessory can be mounted either the right or left side of a Wenger Student or Musician chair.

Right hand or left hand set up must be determined before proceeding.  
Assemble and attach in the preferred configuration using the following instructions.

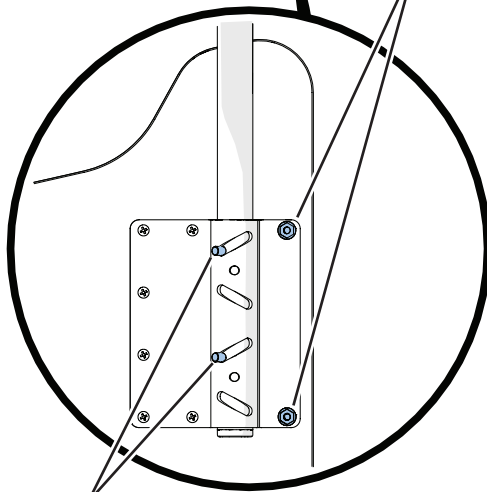
Right Hand Set Up



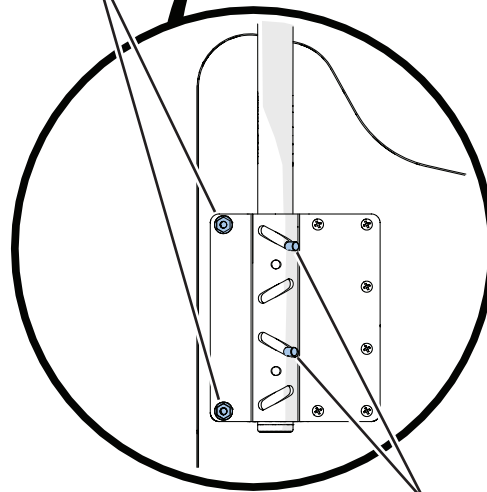
Left Hand Set Up



Align the two larger holes in the desk bracket with the two pilot holes towards the longer desk edge



The first and third angled slots engage the stop pins away from the longer desk edge



The first and third angled slots engage the stop pins away from the longer desk edge

# Assembly (continued)

## Tablet Arm Assembly

*These instructions detail assembly for a right hand set up.*

*For a left hand set up, the tablet arm illustrations would be reversed and installed on the opposite side of the chair.*

1. From the top of the desk surface (12), thread two #10-24 x 0.87 speaker screws (1) through the pilot holes.

### NOTICE

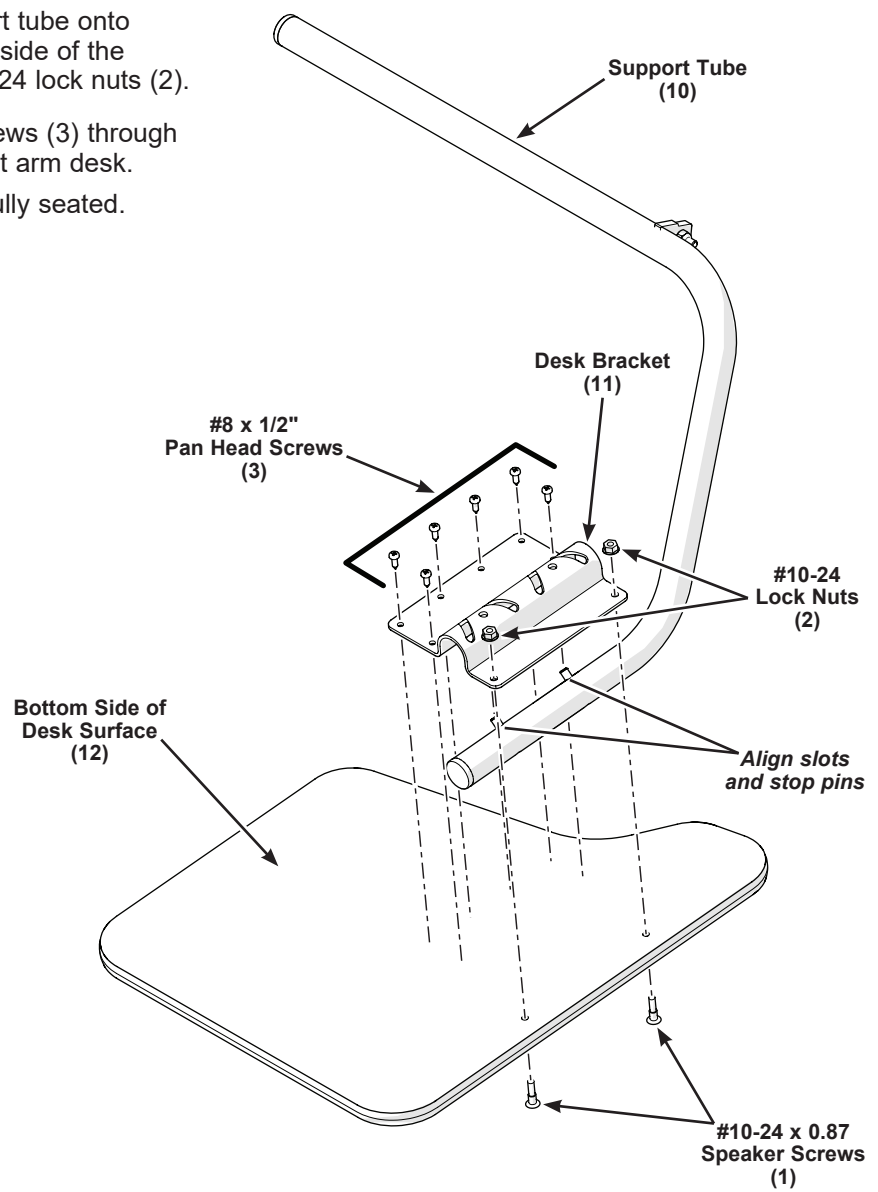
**The speaker screws may have to be started by tapping them into the holes with a hammer.**

2. Slide the desk bracket (11) over the end of the support tube (10) until the first and third angled slots engage the stop pins as shown on the previous page.

From the user's viewpoint, this allows the desk surface to rotate clockwise for right hand set up and counterclockwise for left hand set up.

3. Place the desk bracket and support tube onto the speaker screws on the bottom side of the desk surface and secure with #10-24 lock nuts (2).

4. Thread six #8 x 1/2" pan head screws (3) through the desk bracket and into the tablet arm desk. Tighten the screws until they are fully seated.



*Right hand set up is shown,  
left hand set up would be reversed.*

## Assembly (continued)

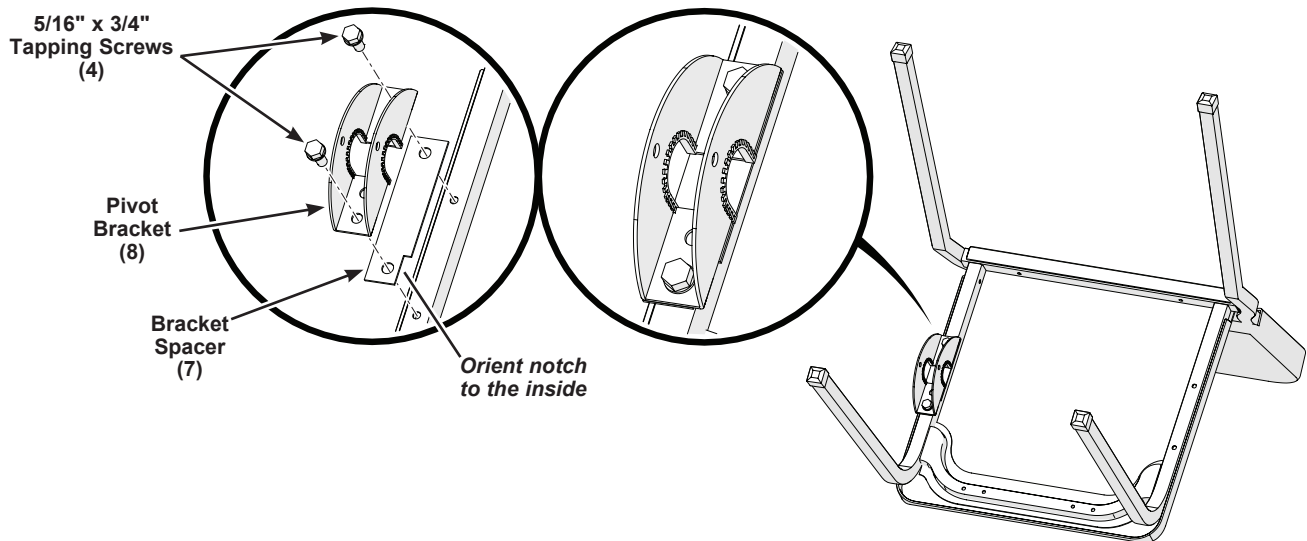
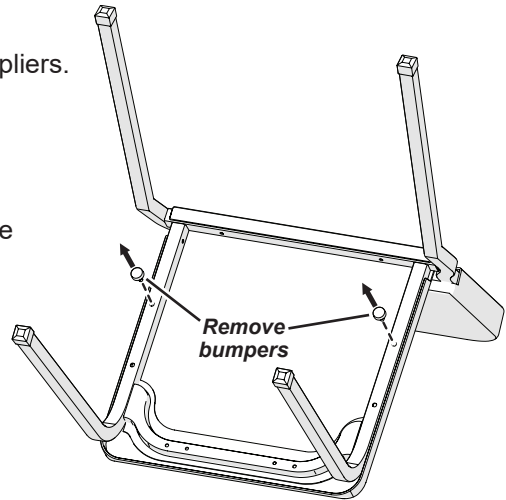
### Attach to Chair

1. Place the chair upside down.  
**Be sure to protect the seat surfaces from damage.**  
If the chair has bumpers installed, they must be removed using a pliers.
2. Pre-cut the mounting holes by threading and then removing a 5/16" x 3/4" tapping screw (4) into each of the four pre-punched mounting holes on the bottom of the chair frame.
3. Attach a bracket spacer (7) and pivot bracket (8) to the chair frame using two 5/16" x 3/4" tapping screws (4).

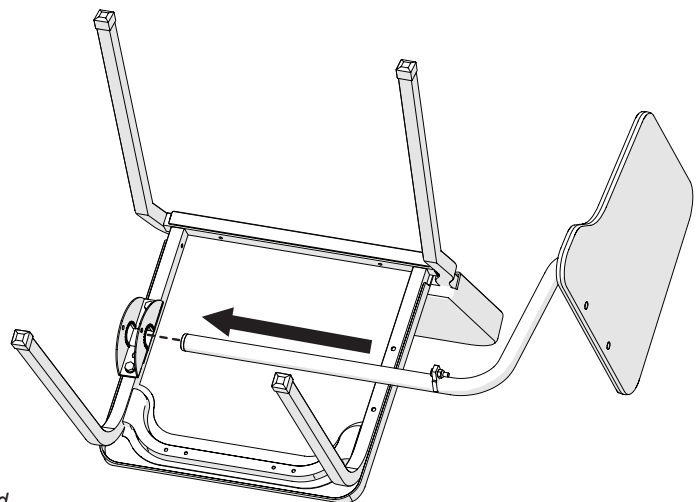
**Attach to the left side for a right hand set up.  
Attach to the right side for a left hand set up.**

Orient the notch in the bracket spacer to the inside of the chair as shown.

Do not fully tighten the screws at this time.  
The pivot bracket should be able to move back and forth slightly.



4. Orientated as shown, slide the support tube end into the large hole of the attached pivot bracket.

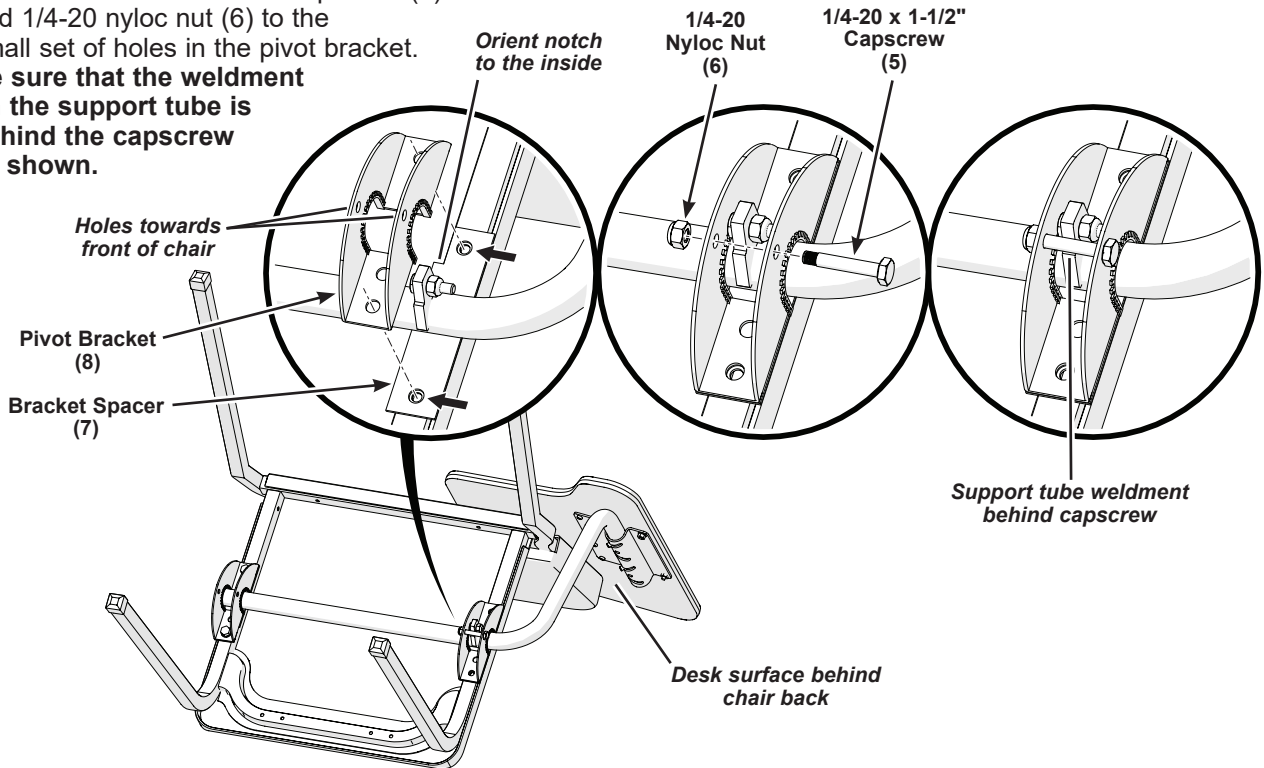


*Right hand set up is shown,  
left hand set up would be reversed.*

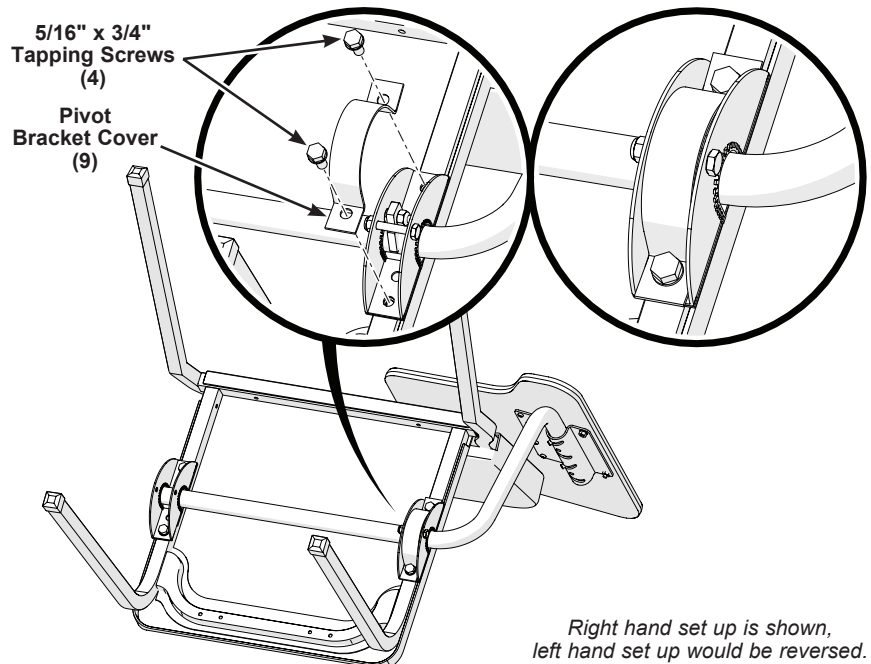
## Assembly (continued)

### Attach to Chair (continued)

5. With the desk surface behind the back of the chair as shown, slide a bracket spacer (7) under the support tube to align with the holes on the opposite chair frame side. **Orient the notch in the bracket spacer to the inside of the chair as shown.**
6. Place a pivot bracket (8) over the support tube and onto the bracket spacer. **The small set of holes must be towards the front of the chair as shown.**
7. Attach one 1/4-20 x 1-1/2" capscrew (5) and 1/4-20 nyloc nut (6) to the small set of holes in the pivot bracket. **Be sure that the weldment on the support tube is behind the capscrew as shown.**



8. Fit the pivot bracket cover (9) onto the pivot bracket and attach it to the chair frame using two 5/16" x 3/4" tapping screws (4) through the pivot bracket and bracket spacer.
9. Fully tighten all four 5/16" x 3/4" tapping screws (4) to the chair frame.
10. Turn the chair upright.

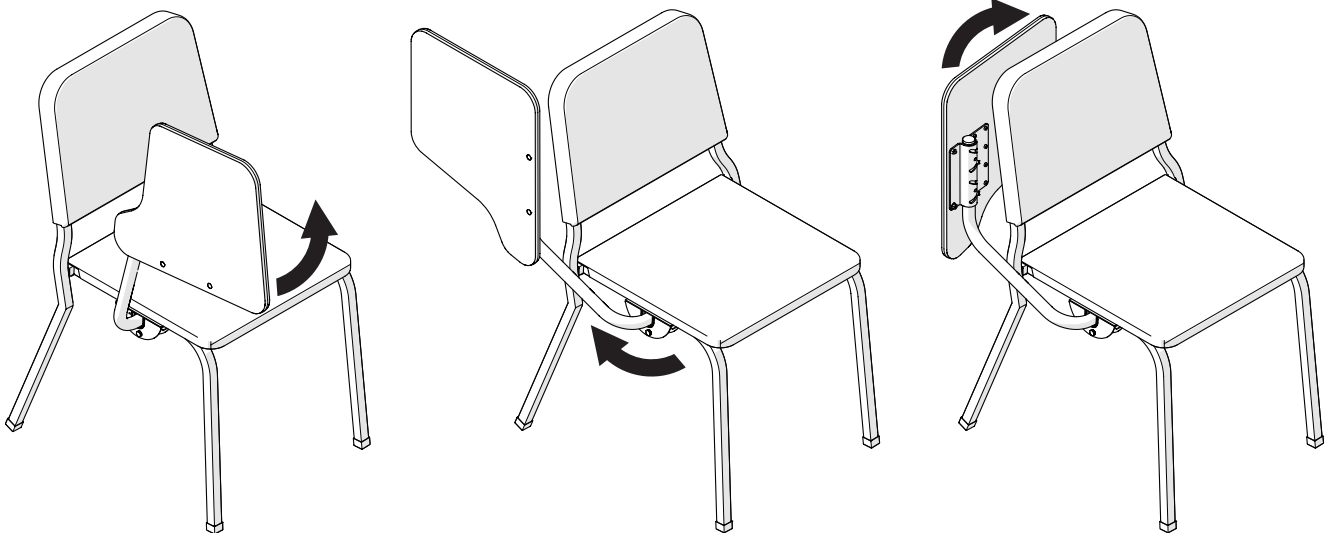


## Operation

---

To store the tablet arm accessory:

1. Rotate the desk surface up until it is perpendicular to the floor.
2. Rotate support tube upward towards the back of the chair.
3. Fold the desk surface inward behind the chair.



### **CAUTION**

*Never exceed 65 lb (29 kg) of weight on the tablet arm accessory.*

## Maintenance

---

1. Replace damaged parts promptly.
2. Lubrication of the tablet arm components is not necessary under normal circumstances. In dusty or abnormal environments, moving parts may be lubricated using any white lithium grease or petroleum based lubricant.

### **NOTICE**

*Dry film lubricants are less likely to trap dust or other contaminants.*